

# THERMA-TRU<sup>®</sup> DOORS

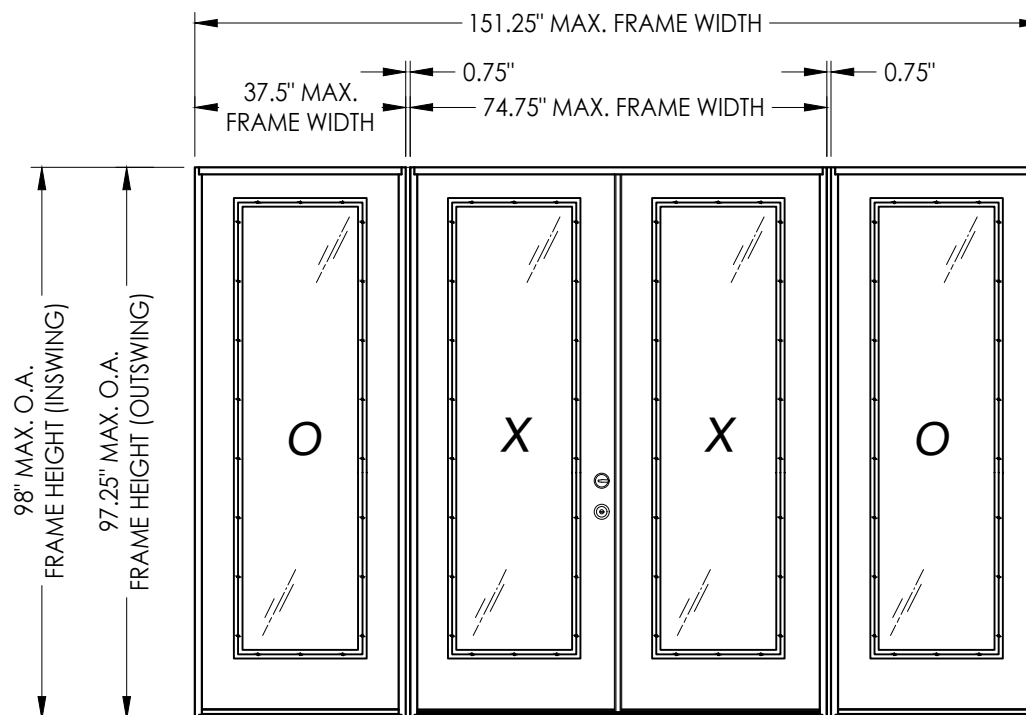
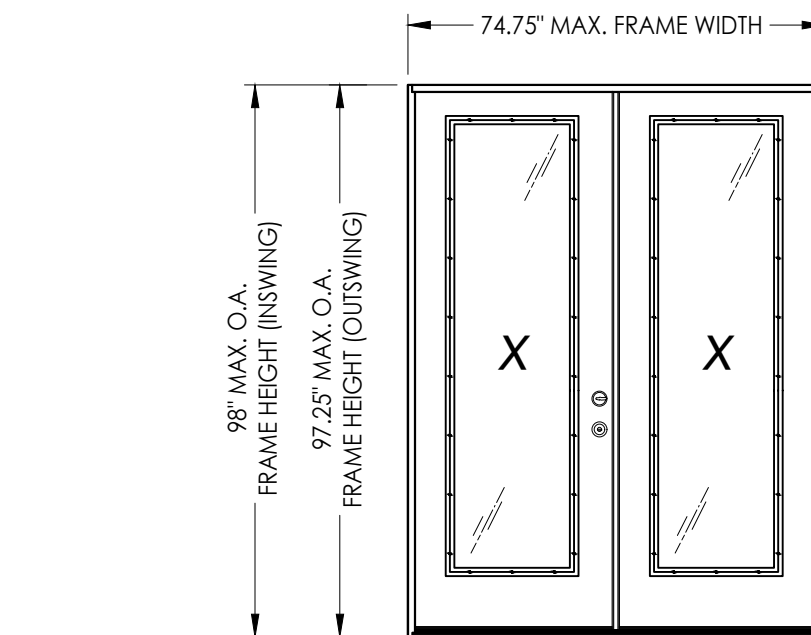
Fiber-Classic<sup>®</sup> & Smooth-Star<sup>®</sup>

## WOOD EDGE GLAZED FIBERGLASS DOUBLE DOOR w/ or w/out SIDELITES IN SWING/OUT SWING "IMPACT"

### GENERAL NOTES

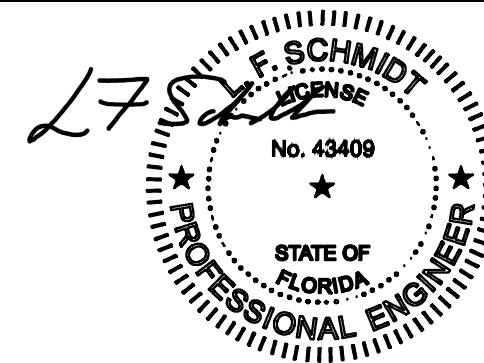
- This product has been evaluated and is in compliance with the 8th Edition (2023) Florida Building Code (FBC) structural requirements excluding the "High Velocity Hurricane Zone" (HVHZ).
- Product anchors shall be as listed and spaced as shown on details. Anchor embedment to base material shall be beyond wall dressing or stucco.
- When used in areas requiring wind borne debris protection this product complies with FBC Sections 1609.1.2 & R301.2.1.2 and does not require an impact resistant covering. This product meets missile level "D" and includes Wind Zone 4 as defined in ASTM E1996 and FBC Sections 1609.1.2.2 & R301.2.1.2.1.
- For 2x stud framing construction, anchoring of these units shall be the same as that shown for 2x buck masonry construction.
- Site conditions that deviate from the details of this drawing require further engineering analysis by a licensed engineer or registered architect.
- Fiber-Classic & Smooth-Star Door and Sidelite panels require the use of "J" part numbers and must be stained or painted within six months of installation.

TABLE OF CONTENTS	
SHEET#	DESCRIPTION
1	Typical Elevations, Design Pressures & General Notes
2	Door Panel Details
3	Sidelite Panel Details
4	Elevations
5	Horizontal & Vertical Cross Sections (2X Buck)
6	Horizontal & Vertical Cross Sections (1X Buck)
7	Horizontal & Vertical Cross Sections (Direct to Masonry)
8	Vertical Cross Sections (Thresholds)
9	Buck Anchoring
10	Frame Anchoring
11	Hardware Details
12	Glazing Details
13	Components
14	Bill of Materials



CONFIGURATION	DESIGN PRESSURE (PSF) IN SWING		DESIGN PRESSURE (PSF) OUT SWING	
	POSITIVE	NEGATIVE	POSITIVE	NEGATIVE
XX, OXXO	+50.0	-50.0	+50.0	-50.0

See Sheet 4 for Hardware Specifications



This item has been digitally signed and sealed by  
L. F. Schmidt, P.E. on the date adjacent to the seal.  
Printed copies of this document are not  
considered signed and sealed and the signature  
must be verified on any electronic copies.

THIS PRODUCT APPROVAL IS VALID  
ONLY FOR THE STATE OF FLORIDA

Documents Prepared By:  
Lyndon F. Schmidt  
P.E. No. 43409

RW BUILDING CONSULTANTS, INC.  
P.O. Box 230, Valrico, FL 33595  
Phone No.: 813.659.9197  
FBPE Registry No. 98113

PRODUCT: THERMA-TRU  
FIBERGLASS DOOR  
PART OR ASSEMBLY:  
TYPICAL ELEVATION, DESIGN  
PRESSURES & GENERAL NOTES

NO.	DATE	REVISIONS
4	8/22/23	UPDATE TO 8TH ED. (2023) FBC
3	7/16/20	UPDATE TO 7TH ED (2020) FBC
2	10/09/18	REV. DOOR PANEL OPTION NOTE
1	10/15/17	ADD DEADBOLT 5-1/2" O. C. AND RECESSED PANEL NOTATION

DATE: 12/19/16

SCALE: N.T.S.

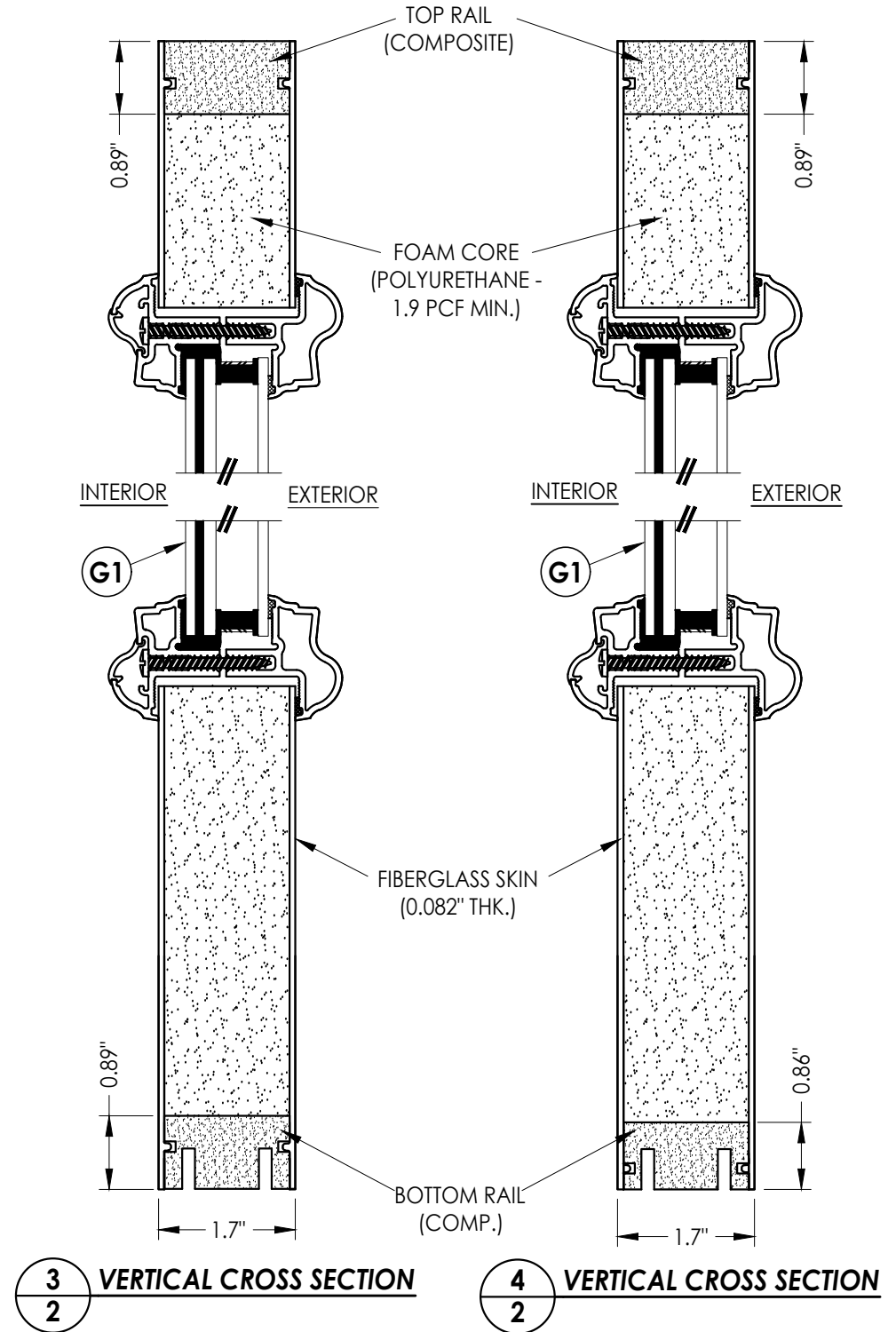
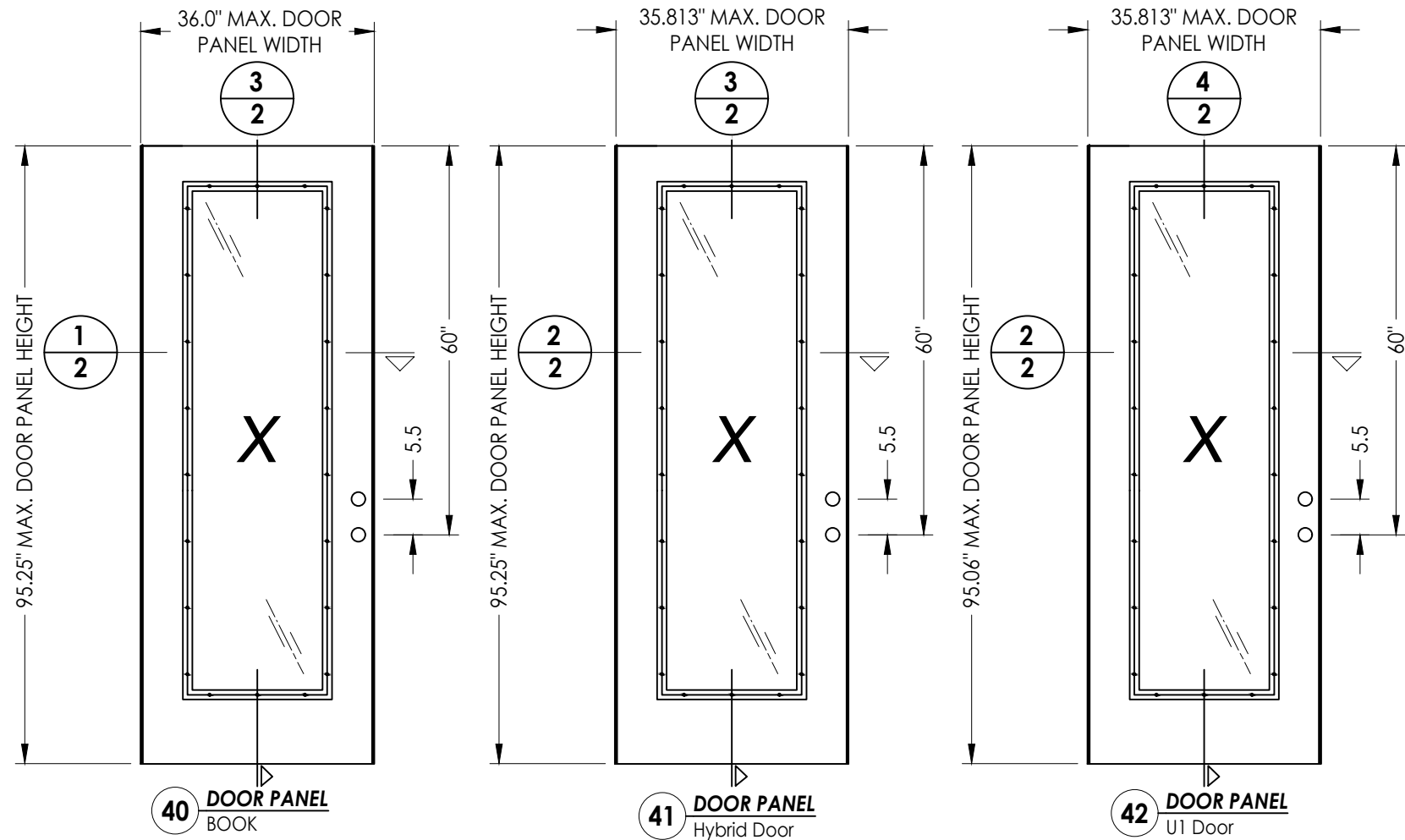
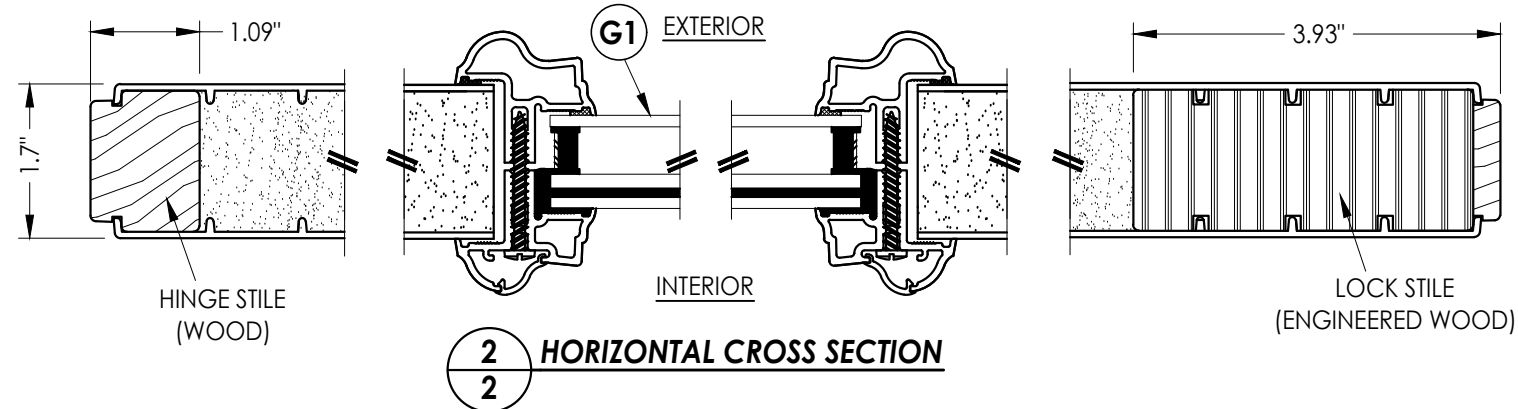
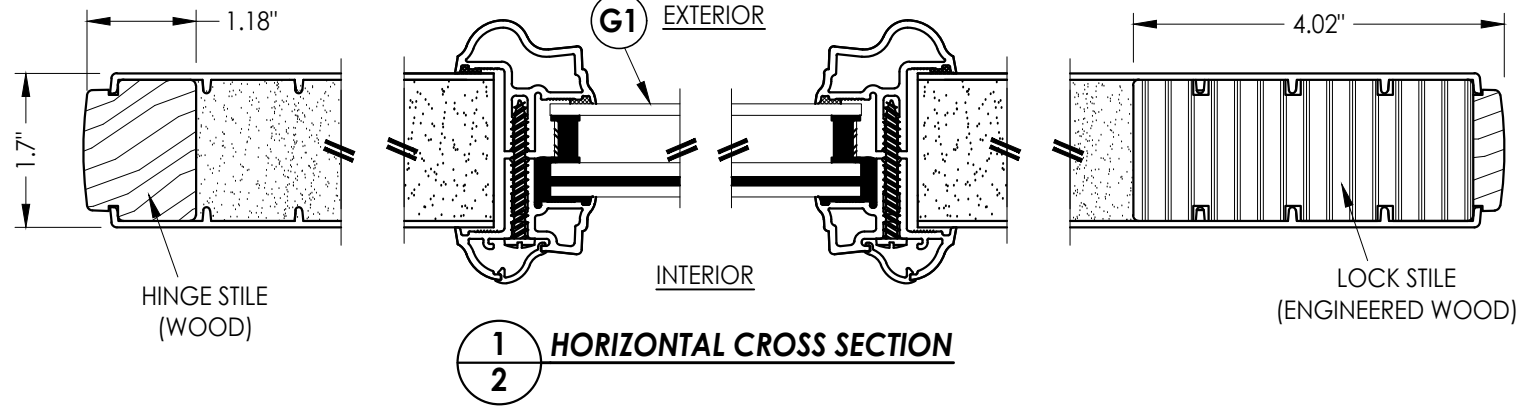
DWG. BY: JK

CHK. BY: LFS

DRAWING NO.: FL-21138.12

SHEET 1 OF 14

Z:\2023 FBC Drawings\Therma-Tru\FL-21138 R7\FL-21138.10-12.dwg



Documents Prepared By:  
Lyndon F. Schmidt  
P.E. No. 43409

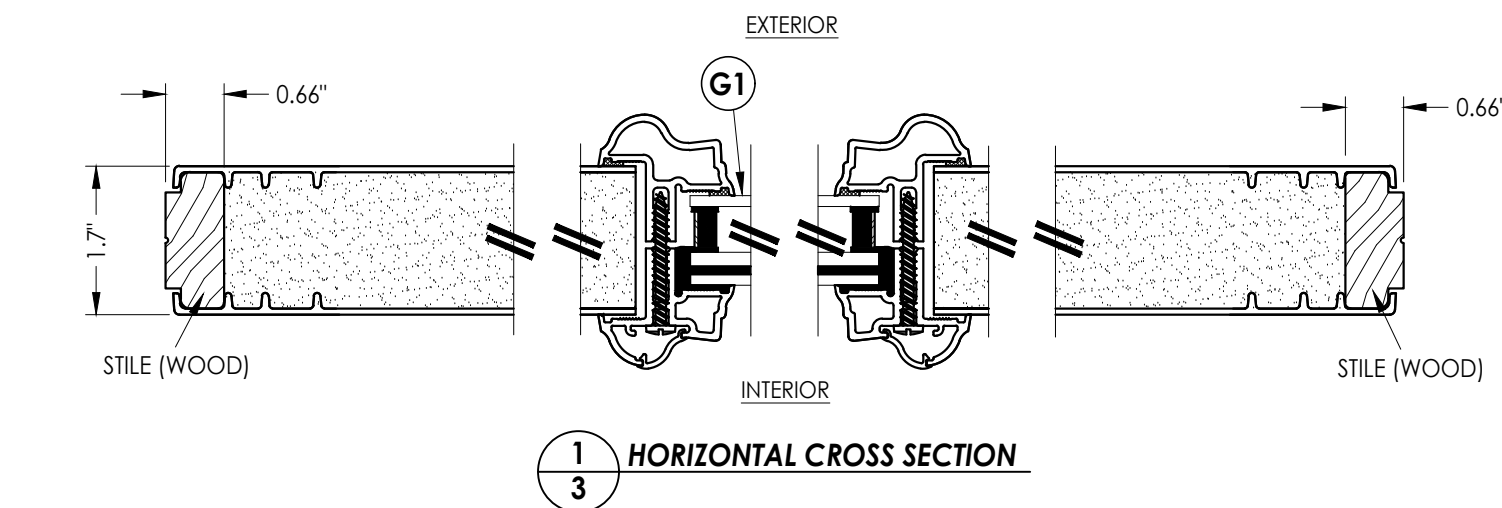
PRODUCT:  
THERMA-TRU  
FIBERGLASS DOOR

PART OR ASSEMBLY:  
DOOR PANEL DETAILS

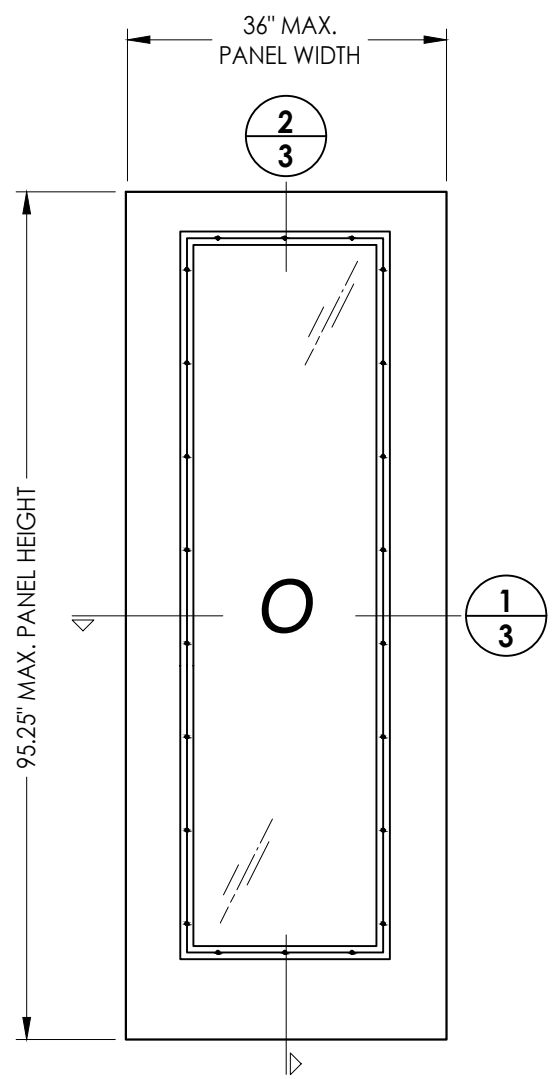
NO.	DATE	REVISIONS	BY
4	8/22/23	UPDATE TO 8TH ED. (2023) FBC	LFS
3	7/16/20	UPDATE TO 7th ED (2020) FBC	PO
2	10/09/18	REV. DOOR PANEL OPTION NOTE	MT
1	10/15/17	ADD DEADBOLT 5-1/2" O. C. AND RECESSED PANEL NOTATION	JK

DATE: 12/19/16  
SCALE: N.T.S.  
DWG. BY: JK  
CHK. BY: LFS  
DRAWING NO.: FL-21138.12  
SHEET 2 OF 14

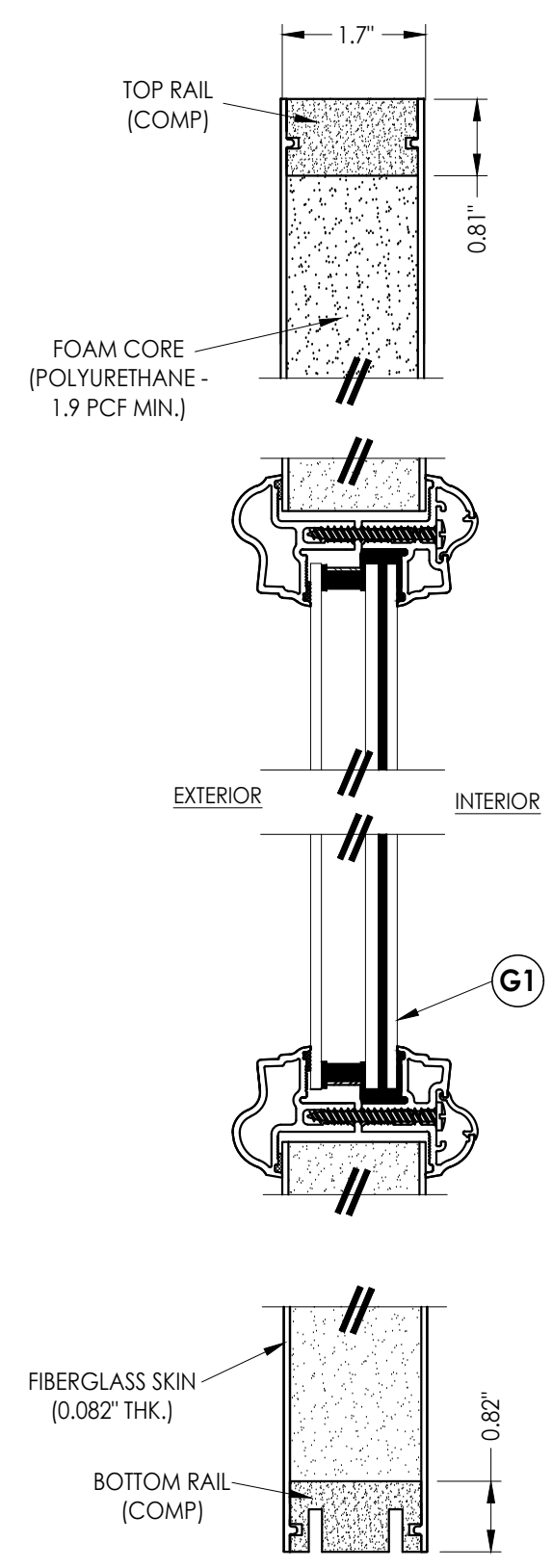
**RW** BUILDING CONSULTANTS, INC.  
P.O. Box 230, Valrico, FL 33595  
Phone No.: 813.659.9197  
FBPE Registry No. 9813



1  
3 HORIZONTAL CROSS SECTION



50 SIDELITE PANEL



2  
3 VERTICAL CROSS SECTION

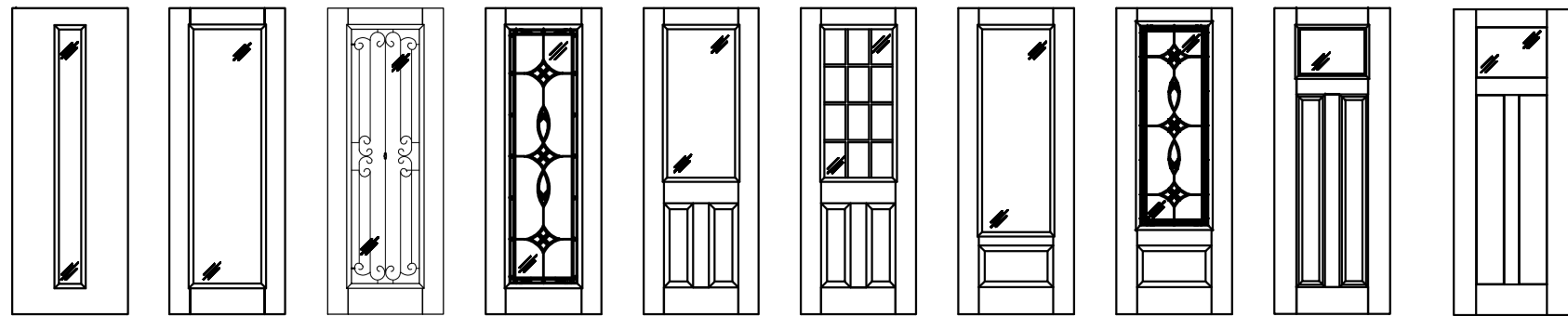
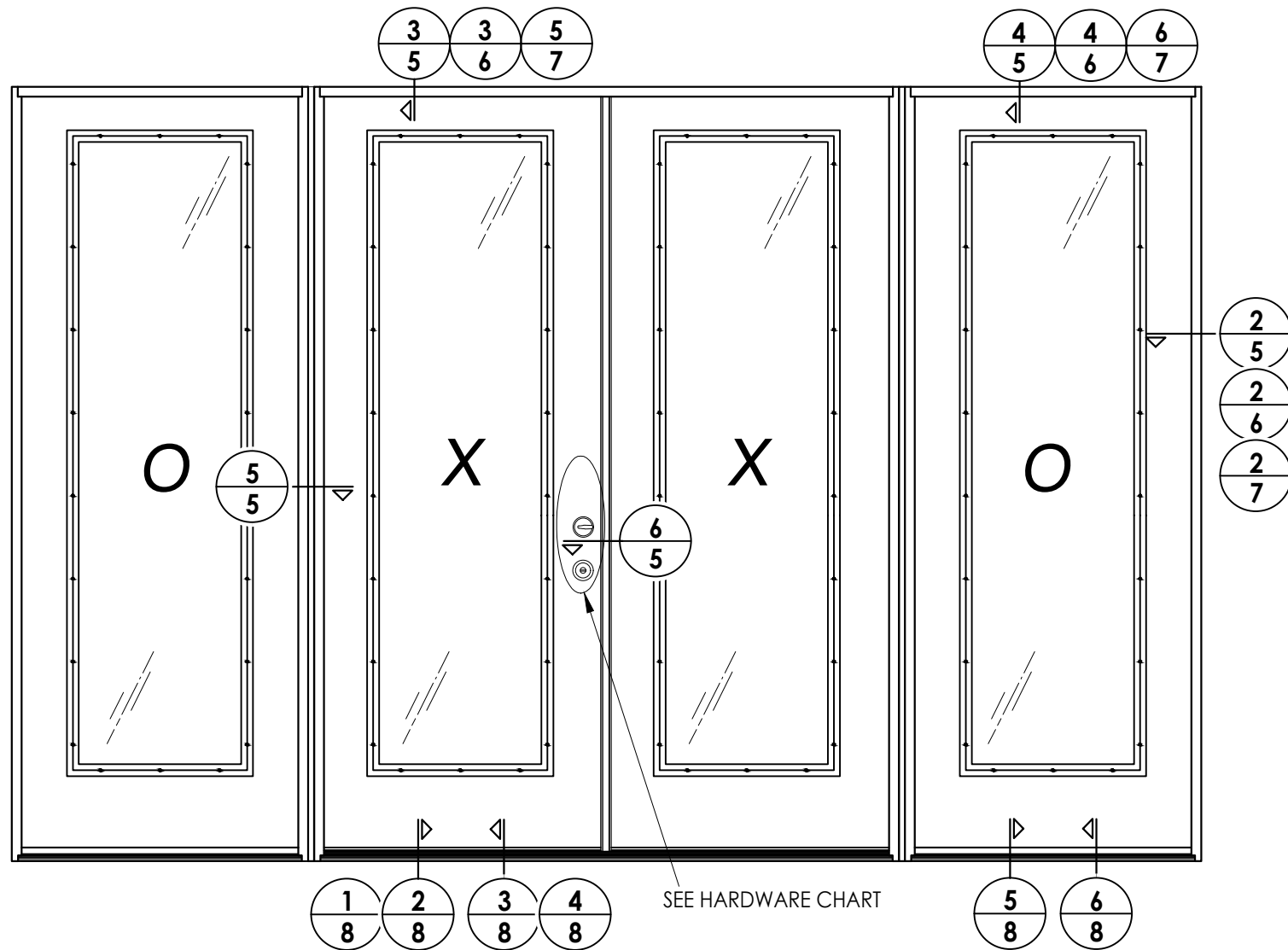
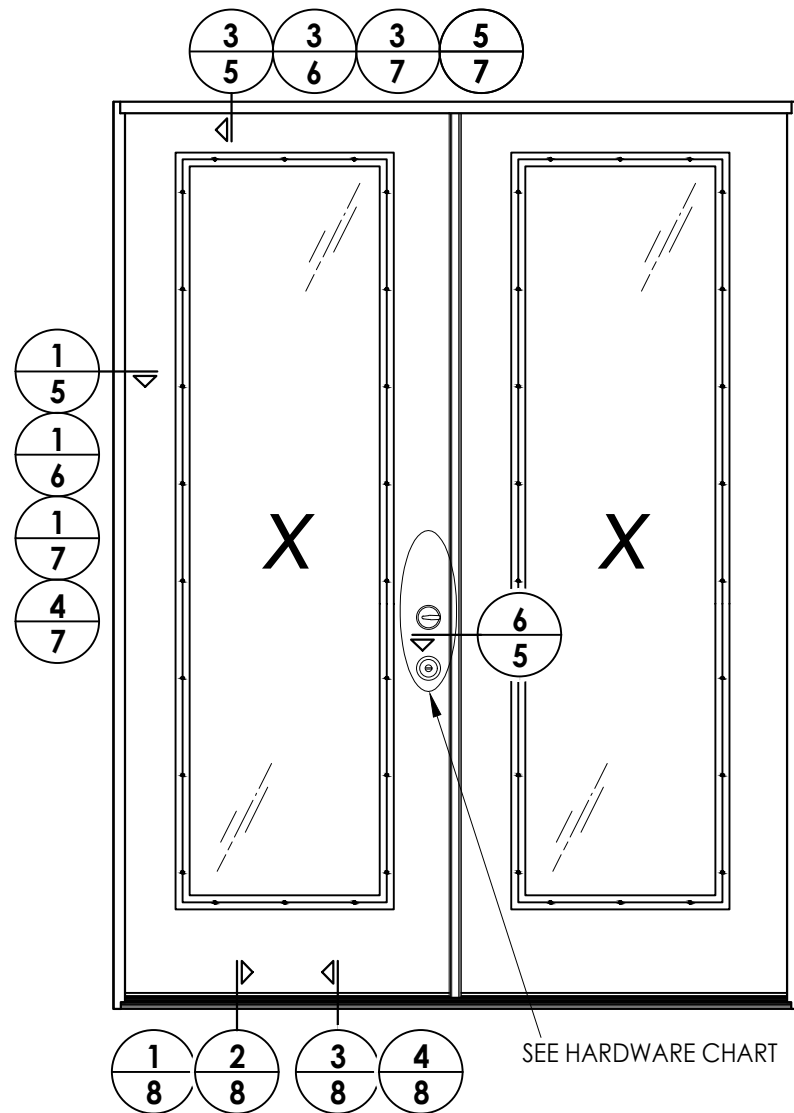
Documents Prepared By:  
Lyndon F. Schmidt  
P.E. No. 43409

**RW** BUILDING CONSULTANTS, INC.  
P.O. Box 230, Valrico, FL 33595  
Phone No.: 813.659.9197  
FBPE Registry No. 9813

PRODUCT: THERMA-TRU FIBERGLASS DOOR  
PART OR ASSEMBLY: SIDELITE PANEL DETAILS

NO.	DATE	REVISIONS
4	8/22/23	UPDATE TO 8TH ED. (2023) FBC LFS
3	7/16/20	UPDATE TO 7th ED (2020) FBC PO
2	10/09/18	REV. DOOR PANEL OPTION NOTE MT
1	10/15/17	ADD DEADBOLT 5-1/2" O. C. AND RECESSED PANEL NOTATION JK

DATE: 12/19/16  
SCALE: N.T.S.  
DWG. BY: JK  
CHK. BY: LFS  
DRAWING NO.: FL-21138.12  
SHEET 3 OF 14



**Fiber-Classic/Smooth-Star Door Panel Options**

Products approved include all embossed and recessed panel doors.  
 Similar glazed panel configurations are allowed.  
 Panels shown are for illustration and are representative only.

HARDWARE TABLE	
MANUFACTURER	MODEL
SCHLAGE	KNOB: F51 DEADBOLT: B60
KWIKSET	KNOB: SIGNATURE SERIES DEADBOLT: SIGNATURE SERIES (980)
HOPPE (THERMA-TRU)	MULTIPOINT : MPDGART (3 pt. Manual Tongue)

Documents Prepared By:  
 Lyndon F. Schmidt  
 P.E. No. 43409

*RW* BUILDING CONSULTANTS, INC.  
 P.O. Box 230, Valrico, FL 33595  
 Phone No.: 813.659.9197  
 FBPE Registry No. 9813

PRODUCT: THERMA-TRU  
 FIBERGLASS DOOR

PART OR ASSEMBLY:  
 ELEVATIONS

NO.	DATE	REVISIONS
4	8/22/23	UPDATE TO 8TH ED. (2023) FBC LFS
3	7/16/20	UPDATE TO 7th ED (2020) FBC PO
2	10/09/18	REV. DOOR PANEL OPTION NOTE MT
1	10/15/17	ADD DEADBOLT 5-1/2" O. C. AND RECESSED PANEL NOTATION JK

DATE: 12/19/16

SCALE: N.T.S.

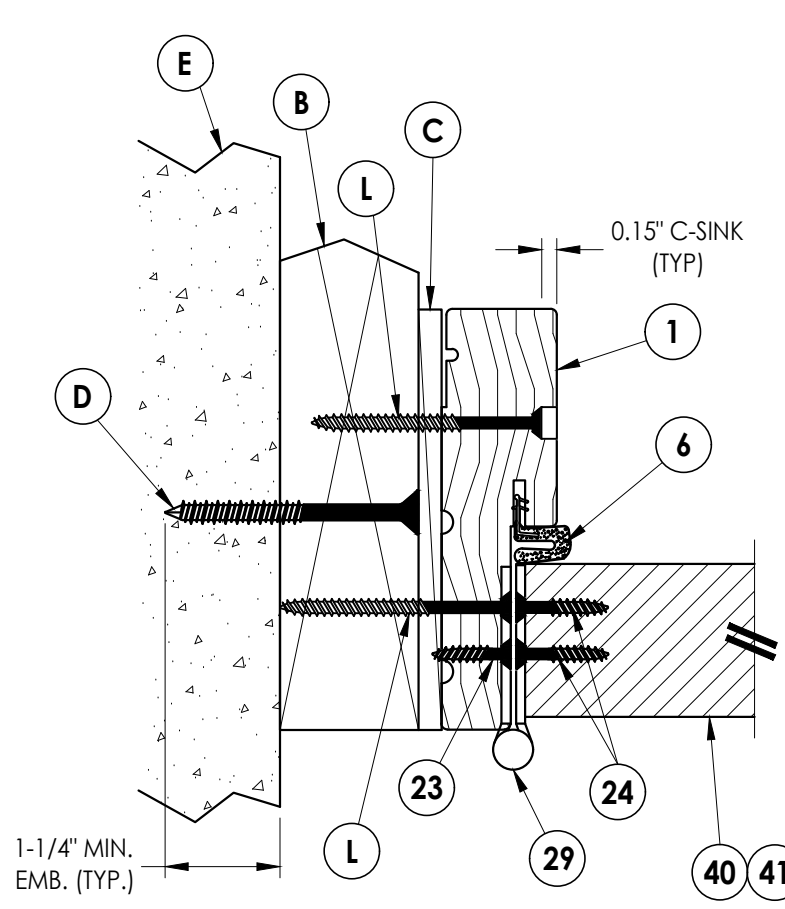
DWG. BY: JK

CHK. BY: LFS

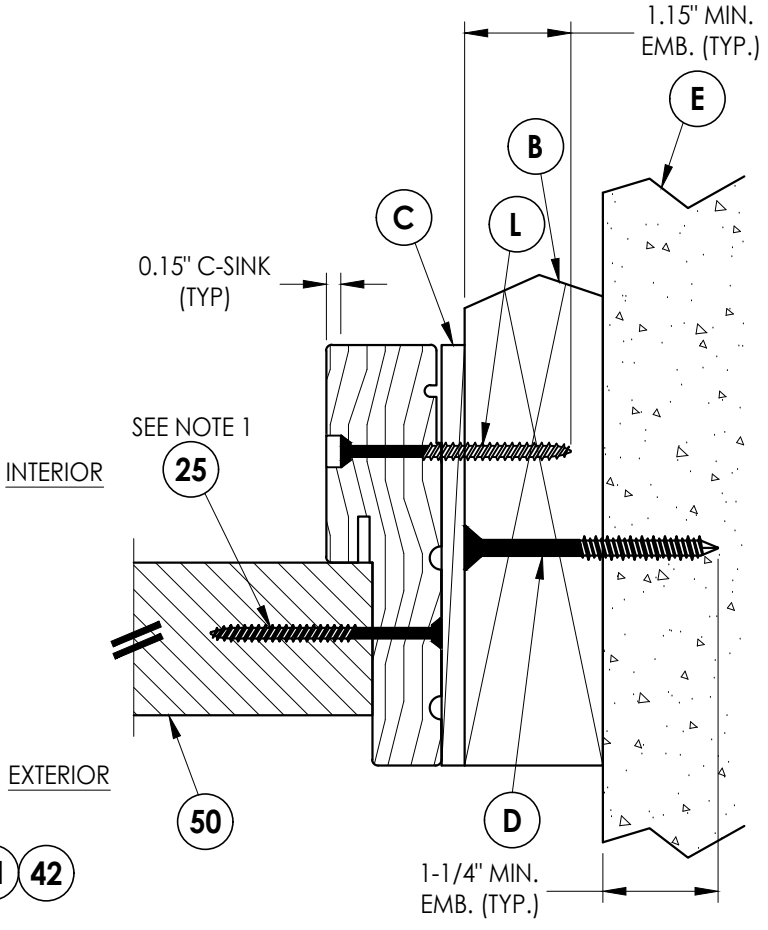
DRAWING NO.:

FL-21138.12

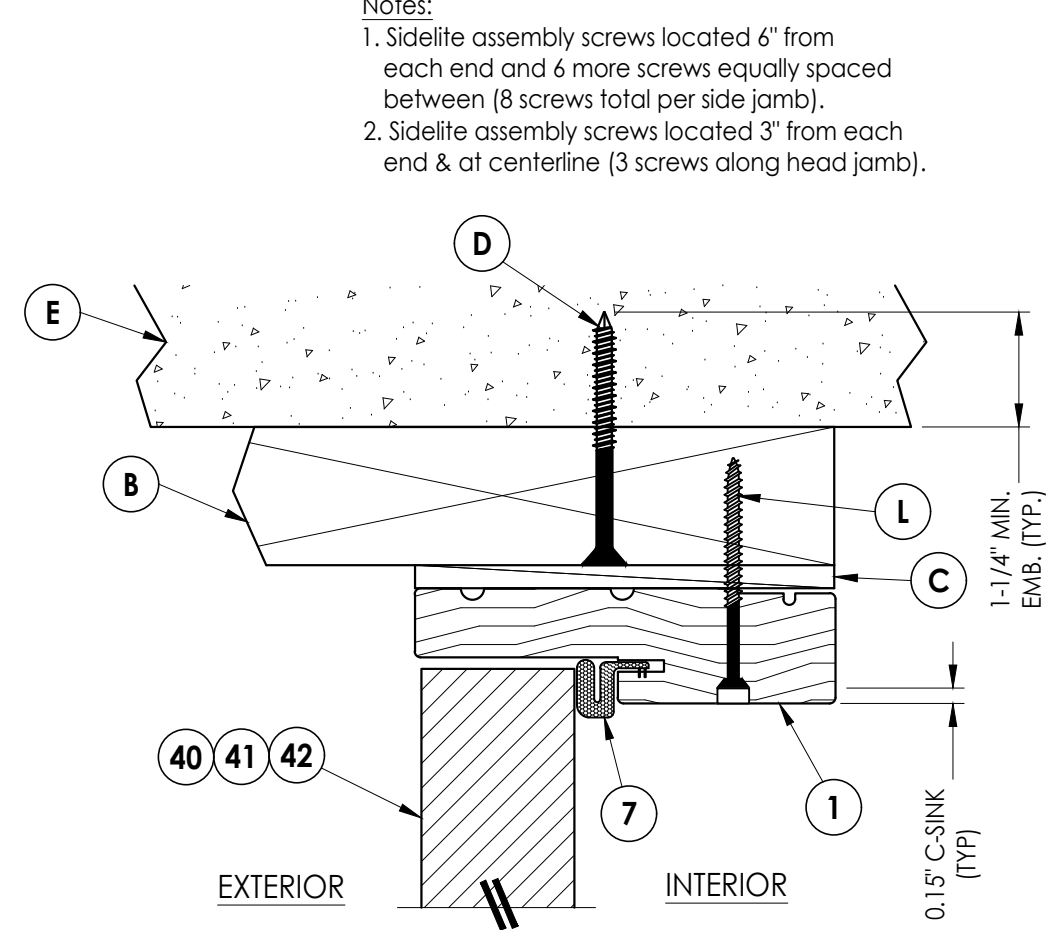
SHEET 4 OF 14



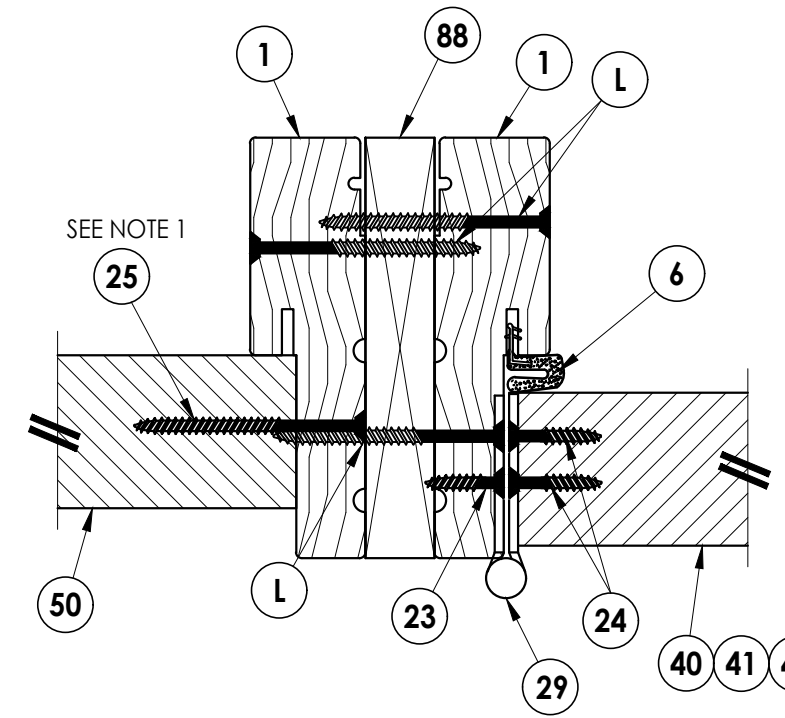
**1** HORIZONTAL CROSS SECTION  
**5** Outswing shown (Inswing similar)



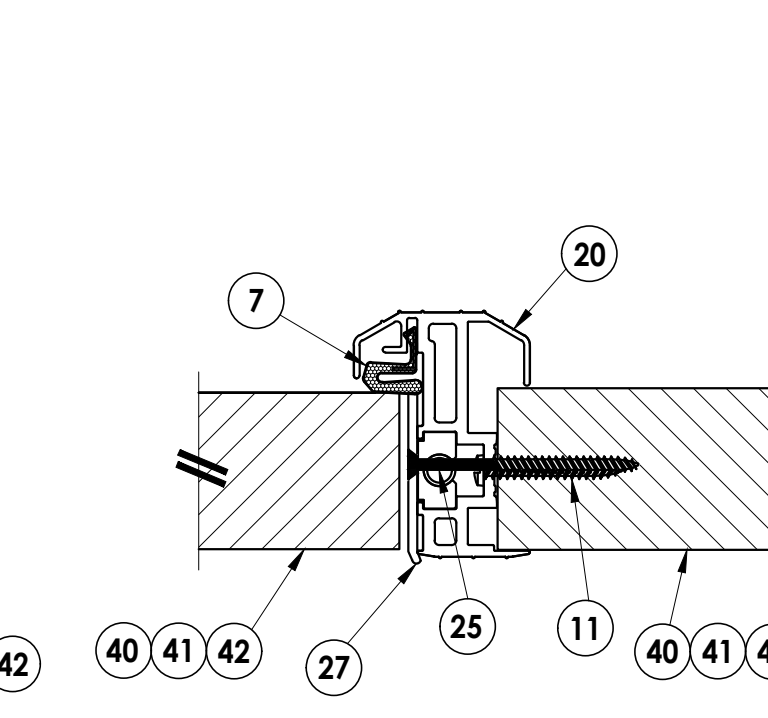
**2** HORIZONTAL CROSS SECTION  
**5** Outswing shown (Inswing similar)



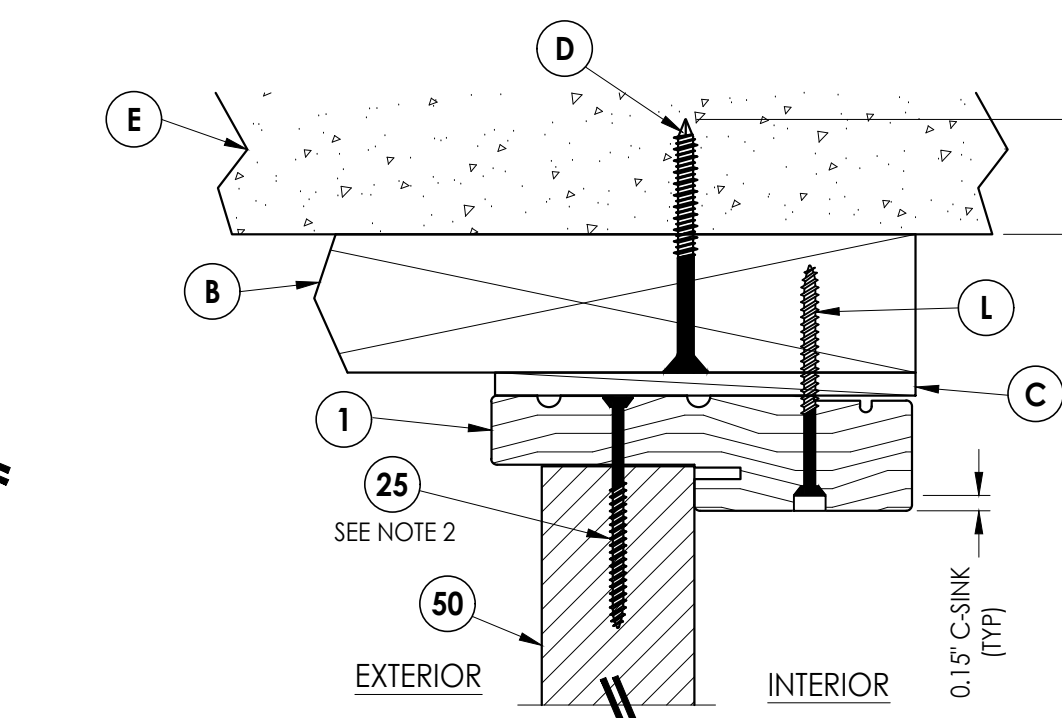
**3** VERTICAL CROSS SECTION  
**5** Outswing shown (Inswing similar)



**5** HORIZONTAL CROSS SECTION  
**5** Outswing shown (Inswing similar)



**6** HORIZONTAL CROSS SECTION  
**5** Outswing shown (Inswing similar)



**4** VERTICAL CROSS SECTION  
**5** Outswing shown (Inswing similar)

Notes:  
 1. Sidelite assembly screws located 6" from each end and 6 more screws equally spaced between (8 screws total per side jamb).  
 2. Sidelite assembly screws located 3" from each end & at centerline (3 screws along head jamb).

Documents Prepared By:  
 Lyndon F. Schmidt  
 P.E. No. 43409

**RW** BUILDING CONSULTANTS, INC.  
 P.O. Box 230, Valrico, FL 33595  
 Phone No.: 813.659.9197  
 FBPE Registry No. 9813

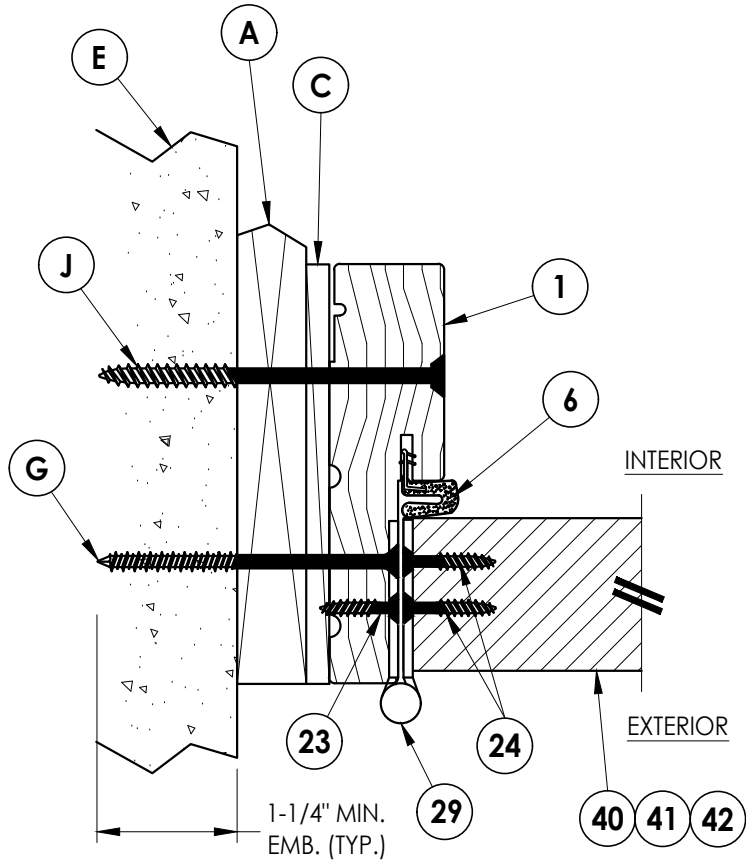
PRODUCT: THERMA-TRU FIBERGLASS DOOR  
 PART OR ASSEMBLY: HORIZONTAL & VERTICAL CROSS SECTIONS (2X BUCK)

NO.	DATE	BY
4	8/22/23	LFS
3	7/16/20	PO
2	10/09/18	MT
1	10/15/17	JK

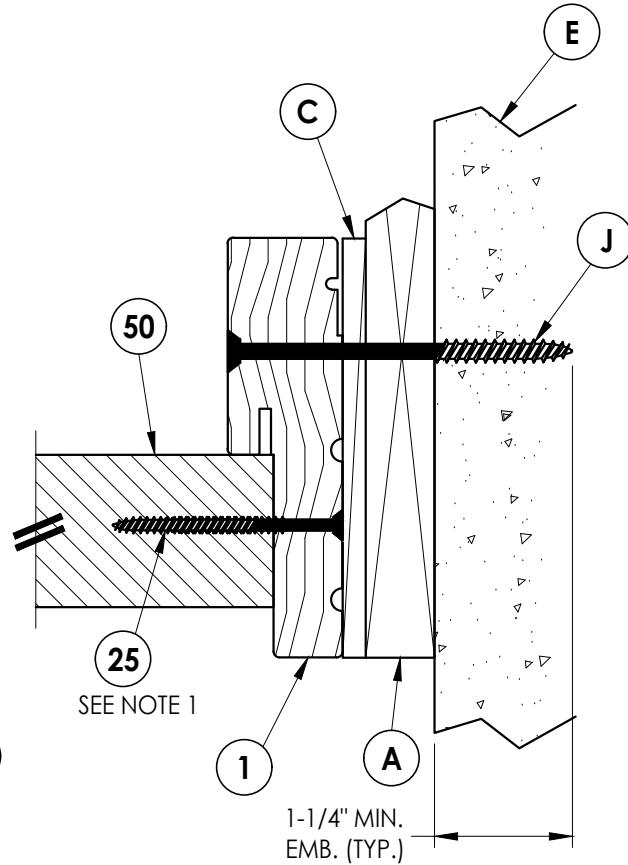
DATE: 12/19/16  
 SCALE: N.T.S.  
 DWG. BY: JK  
 CHK. BY: LFS  
 DRAWING NO.: FL-21138.12  
 SHEET 5 OF 14

Notes:

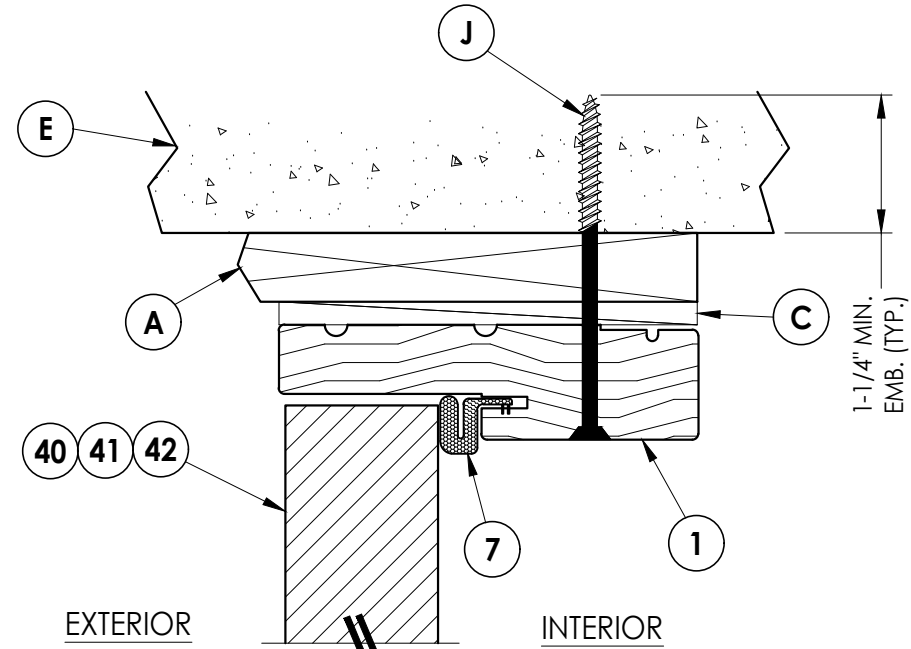
- Sidelite assembly screws located 6" from each end and 6 more screws equally spaced between (8 screws total per side jamb).
- Sidelite assembly screws located 3" from each end & at centerline (3 screws along head jamb).



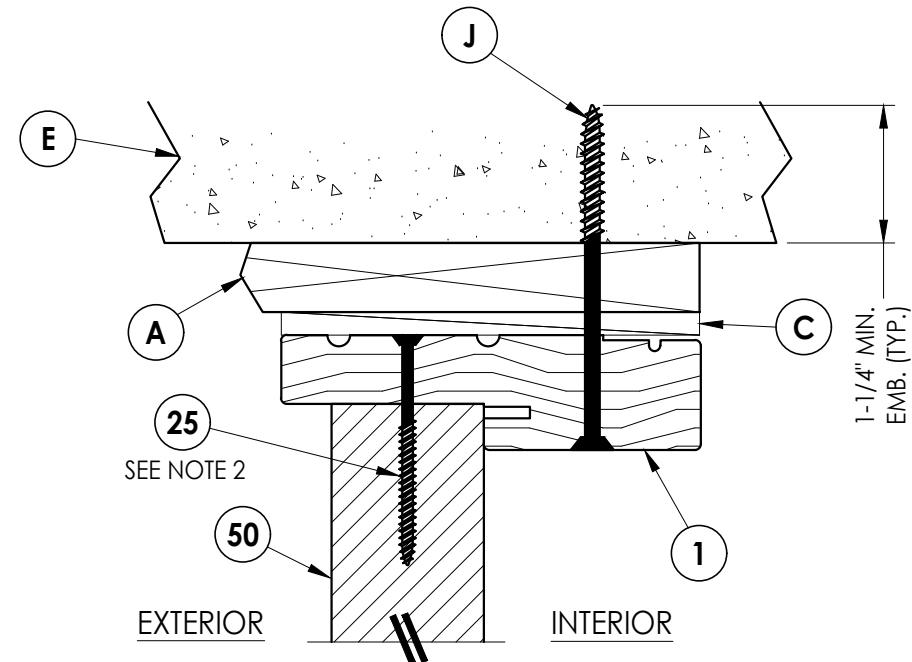
**1** **HORIZONTAL CROSS SECTION**  
**6** Shown w/ 1X sub-buck  
 Outswing shown (Inswing similar)



**2** **HORIZONTAL CROSS SECTION**  
**6** Shown w/ 1X sub-buck  
 Outswing shown (Inswing similar)



**3** **VERTICAL CROSS SECTION**  
**6** Shown w/ 1X sub-buck  
 Outswing shown (Inswing similar)



**4** **VERTICAL CROSS SECTION**  
**6** Shown w/ 1X sub-buck  
 Outswing shown (Inswing similar)

Documents Prepared By:  
 Lyndon F. Schmidt  
 P.E. No. 43409

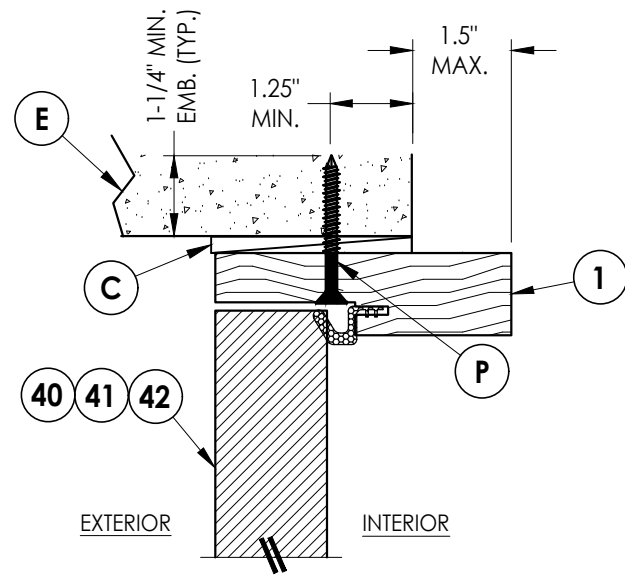
**RW** BUILDING CONSULTANTS, INC.  
 P.O. Box 230, Valrico, FL 33595  
 Phone No.: 813.659.9197  
 FBPE Registry No. 9813

PRODUCT:  
 THERMA-TRU  
 FIBERGLASS DOOR

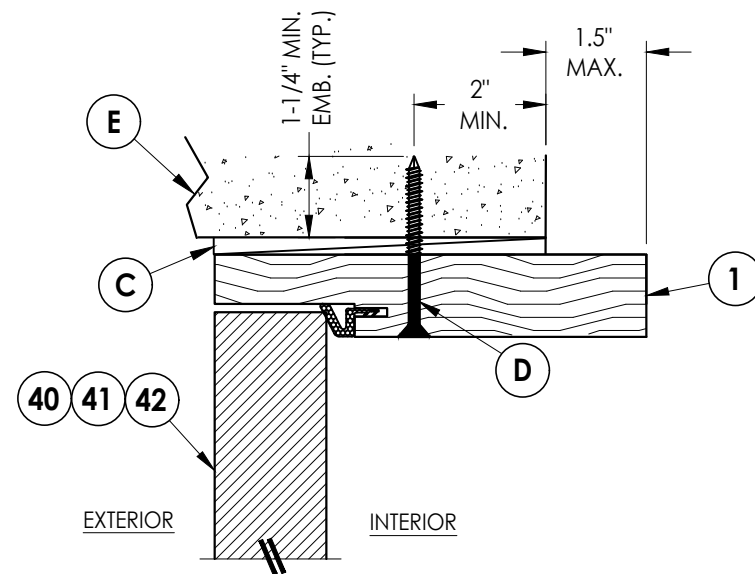
PART OR ASSEMBLY:  
 HORIZONTAL & VERTICAL  
 CROSS SECTIONS (1X BUCK)

NO.	DATE	REVISIONS	BY
4	8/22/23	UPDATE TO 8TH ED. (2023)	LFS
3	7/16/20	UPDATE TO 7th ED (2020)	PO
2	10/09/18	REV. DOOR PANEL OPTION NOTE	MT
1	10/15/17	ADD DEADBOLT 5-1/2" O. C. AND RECESSED PANEL NOTATION	JK

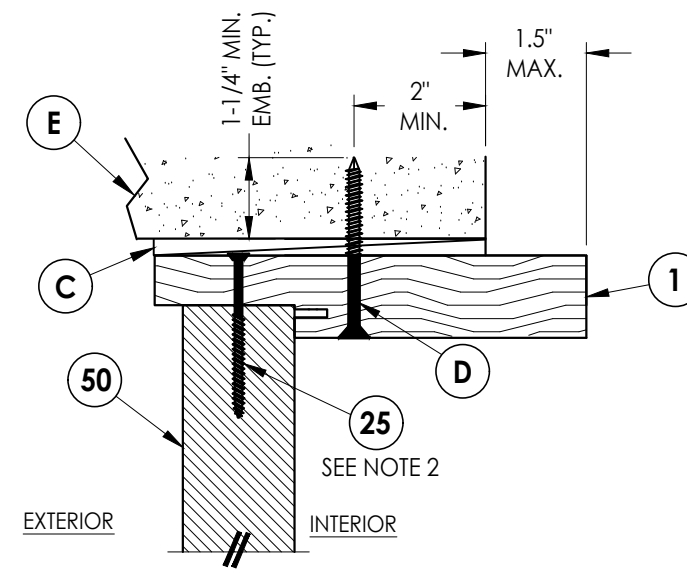
DATE: 12/19/16  
 SCALE: N.T.S.  
 DWG. BY: JK  
 CHK. BY: LFS  
 DRAWING NO.: FL-21138.12  
 SHEET 6 OF 14



**3** **VERTICAL CROSS SECTION**  
**7** Shown Direct to Masonry  
 Outswing only w/ 4-9/16" jamb  
 Double Door Only (N/A w/ Sidelites)

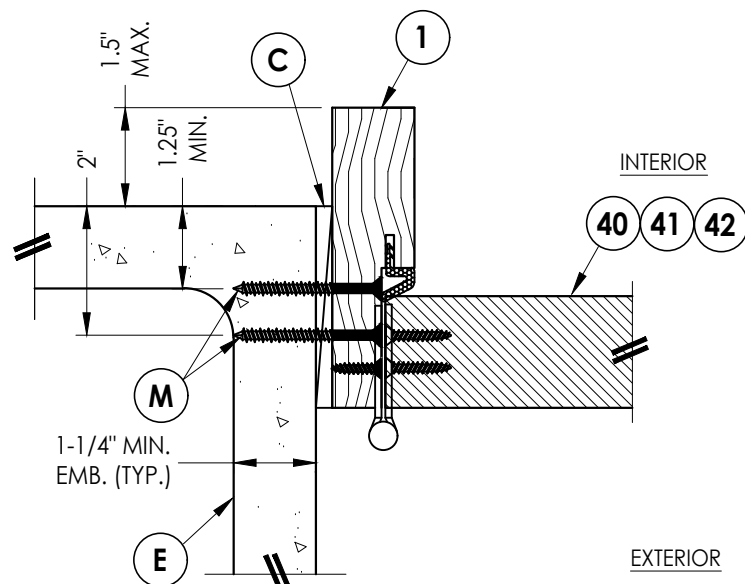


**5** **VERTICAL CROSS SECTION**  
**7** Shown Direct to Masonry  
 Outswing only w/ 6-9/16" jamb

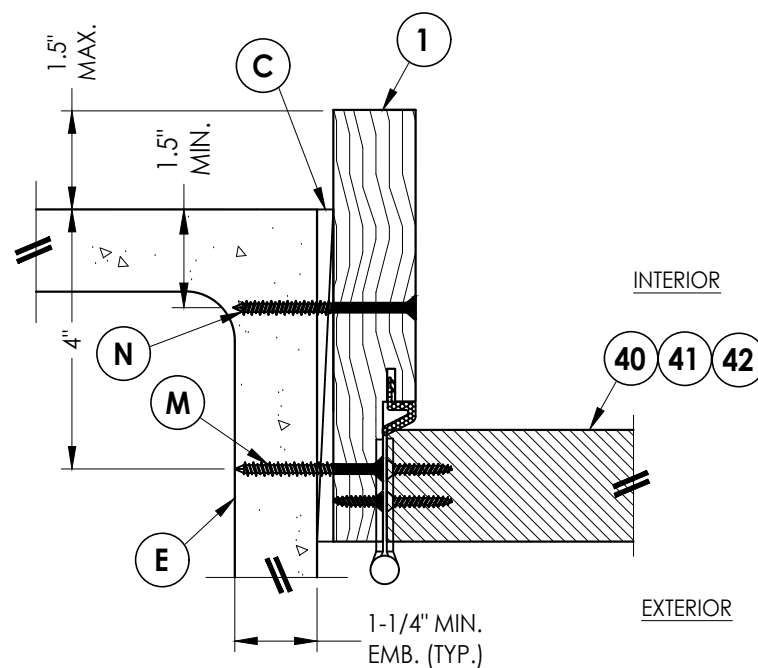


**6** **VERTICAL CROSS SECTION**  
**7** Shown Direct to Masonry  
 Outswing only w/ 6-9/16" jamb

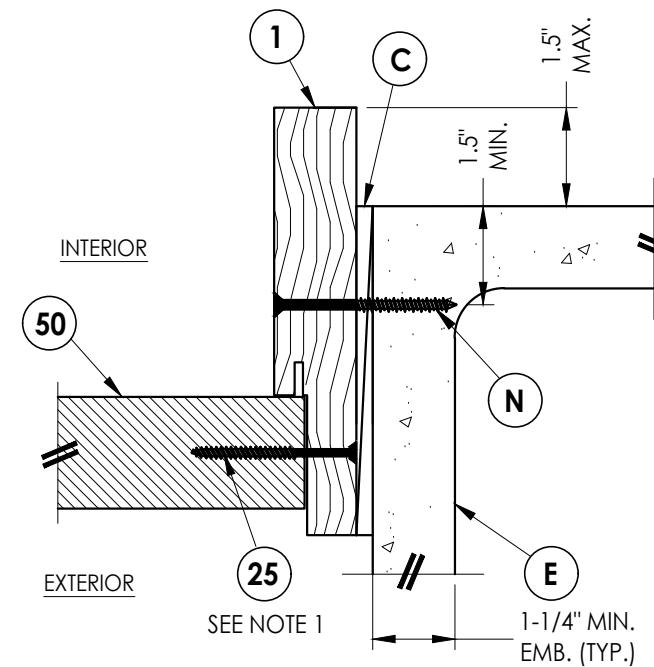
- Notes:
- Sidelite assembly screws located 6" from each end plus 6 more equally spaced between (8 screws total per side jamb).
  - Sidelite assembly screws located 3" from each end & at centerline (3 screws along head jamb).



**1** **HORIZONTAL CROSS SECTION**  
**7** Shown Direct to Masonry  
 Outswing only w/ 4-9/16" jamb  
 Double Door Only (N/A w/ Sidelites)



**4** **HORIZONTAL CROSS SECTION**  
**7** Shown Direct to Masonry  
 Outswing only w/ 6-9/16" jamb



**2** **HORIZONTAL CROSS SECTION**  
**7** Shown Direct to Masonry  
 Outswing only w/ 6-9/16" jamb

Documents Prepared By:  
 Lyndon F. Schmidt  
 P.E. No. 43409

**RW** BUILDING CONSULTANTS, INC.  
 P.O. Box 230, Valrico, FL 33595  
 Phone No.: 813.659.9197  
 FBPE Registry No. 9813

PRODUCT:  
 THERMA-TRU  
 FIBERGLASS DOOR

PART OR ASSEMBLY:  
 HORIZONTAL & VERTICAL  
 SECTIONS (DIRECT TO MASONRY)

NO.	DATE	REVISIONS	BY
4	8/22/23	UPDATE TO 8TH ED. (2023) FBC	LFS
3	7/16/20	UPDATE TO 7TH ED (2020) FBC	PO
2	10/09/18	REV. DOOR PANEL OPTION NOTE	MT
1	10/15/17	ADD DEADBOLT 5-1/2" O. C. AND RECESSED PANEL NOTATION	JK

DATE: 12/20/16

SCALE: N.T.S.

DWG. BY: JK

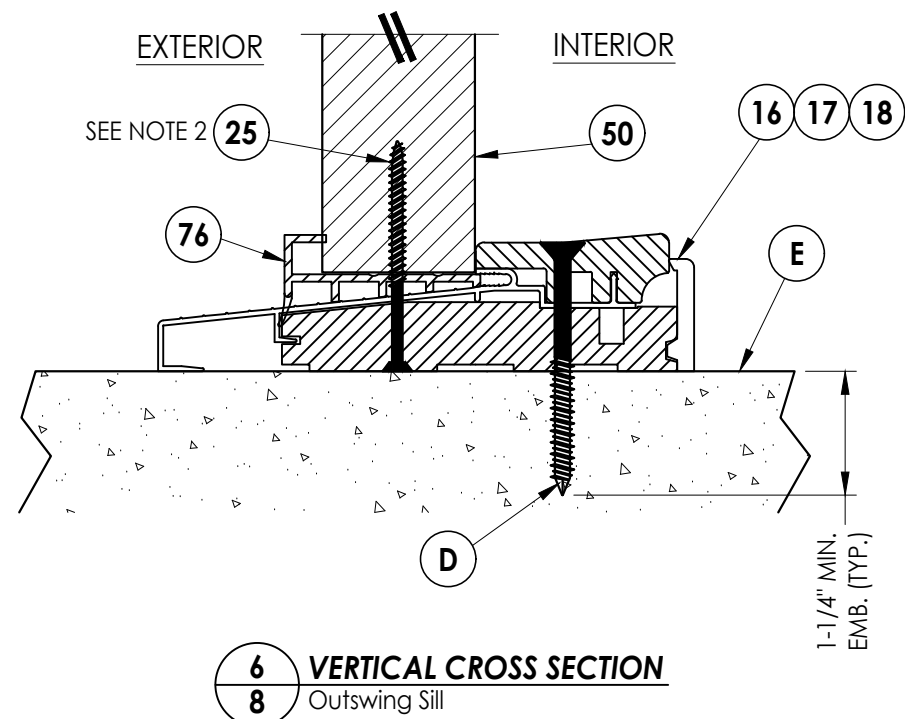
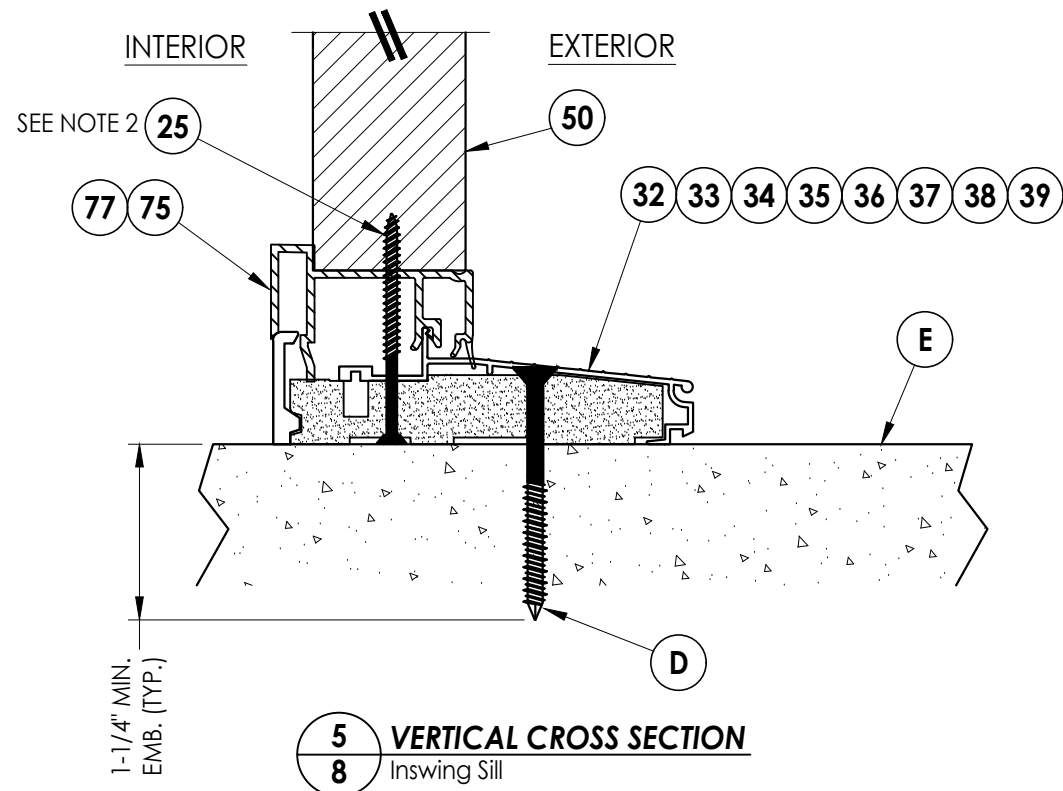
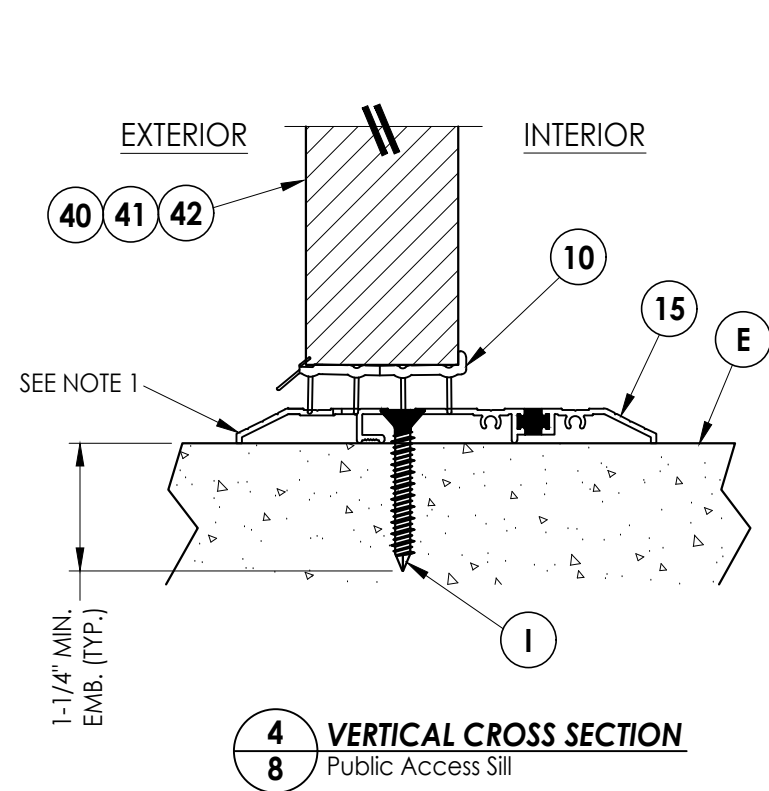
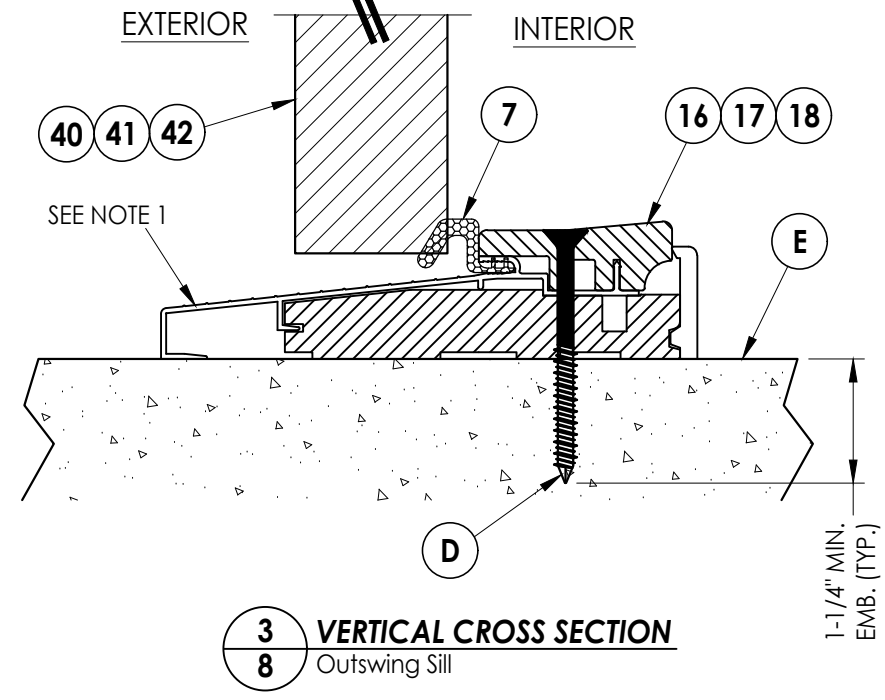
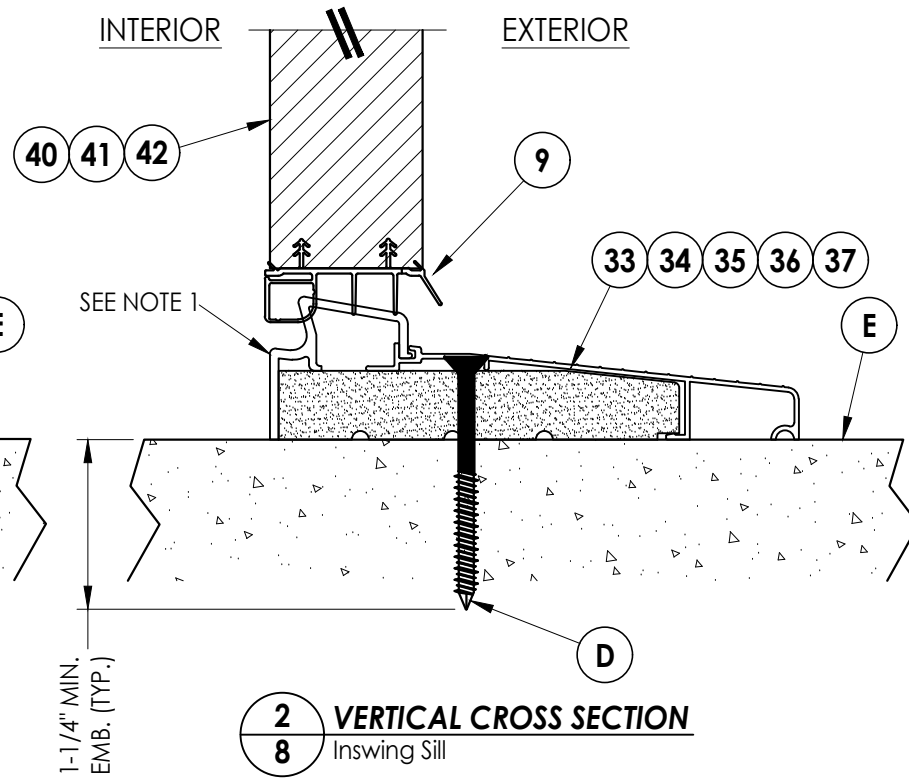
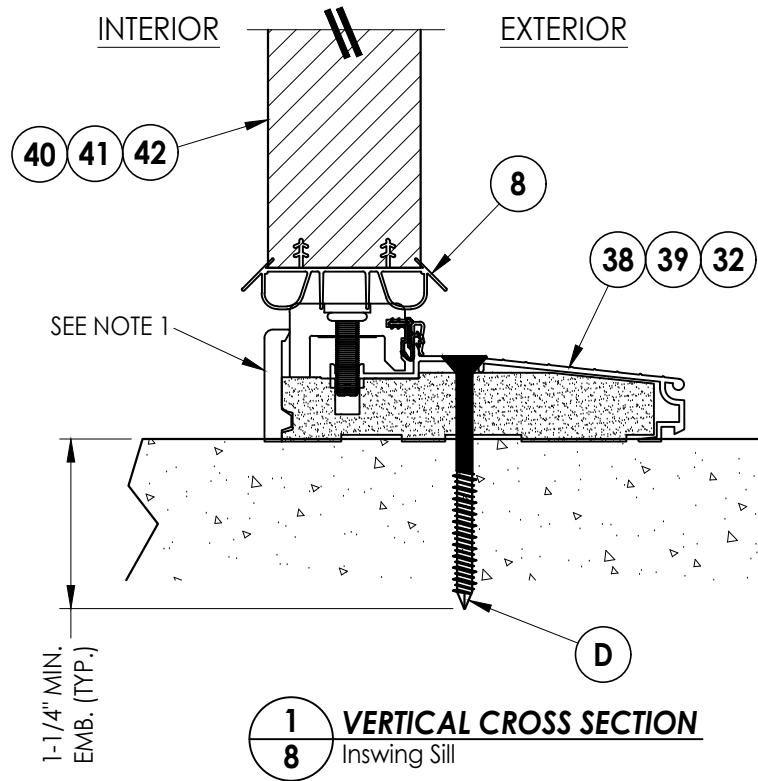
CHK. BY: LFS

DRAWING NO.:  
 FL-21138.12

SHEET 7 OF 14

Notes:

- Sill Item #'s 17, 18, 32, 34, 35, 36, 37, 38 & 39 are attached to jambs w/ (3) #8 X 2-1/2" pph screws at each end.  
Sill Item #'s 16 & 33 are attached to jambs w/ (2) #8 X 2-1/2" pph screws at each end.  
Sill Item #15 is attached to jambs utilizing (4) #10 X 1-1/2" pph screws at each end.
- Sidelite assembly screws located 3" from each end & at centerline (3 screws along sill).



Documents Prepared By:  
Lyndon F. Schmidt  
P.E. No. 43409

**RW** BUILDING CONSULTANTS, INC.  
P.O. Box 230, Valrico, FL 33595  
Phone No.: 813.659.9197  
FBPE Registry No. 9813

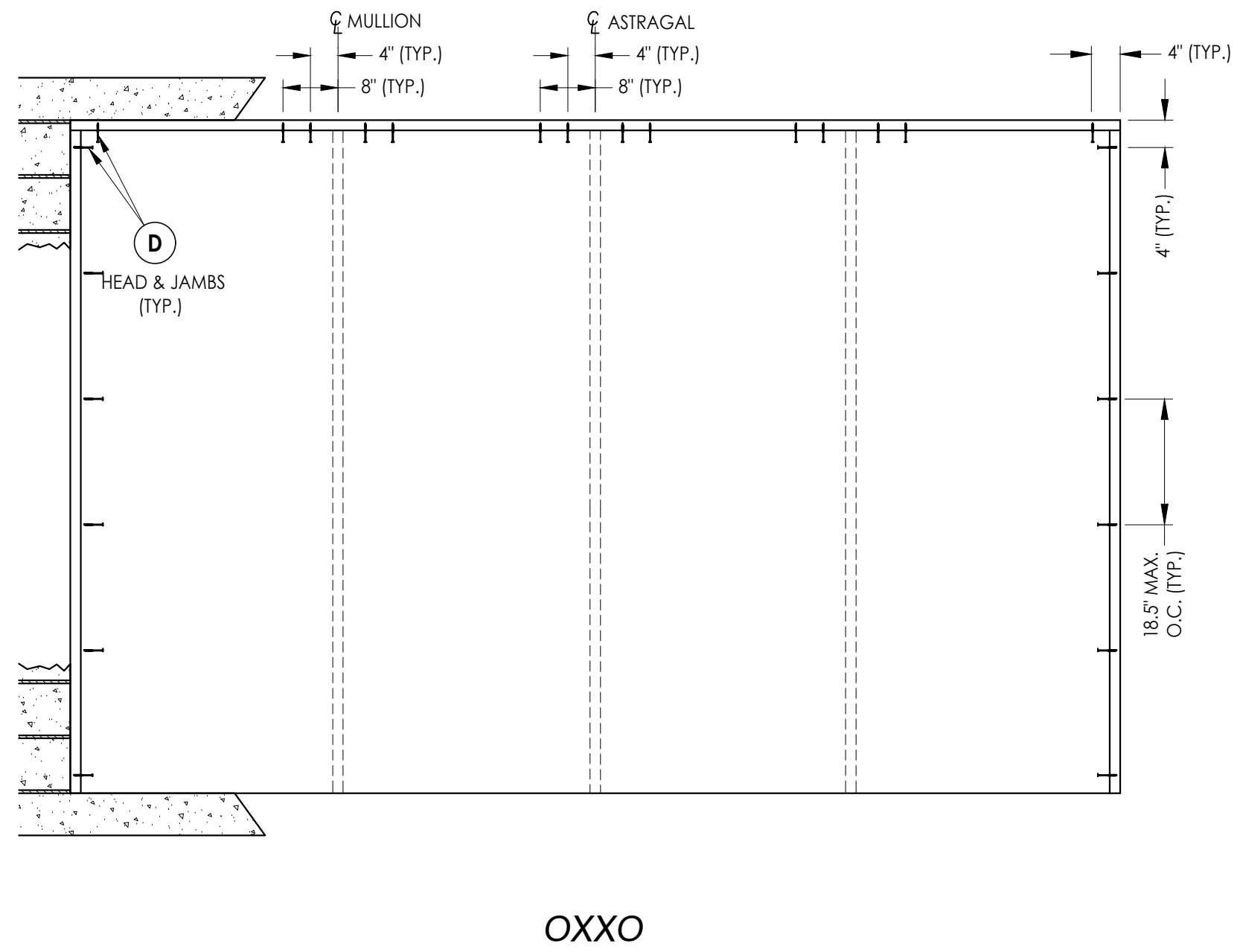
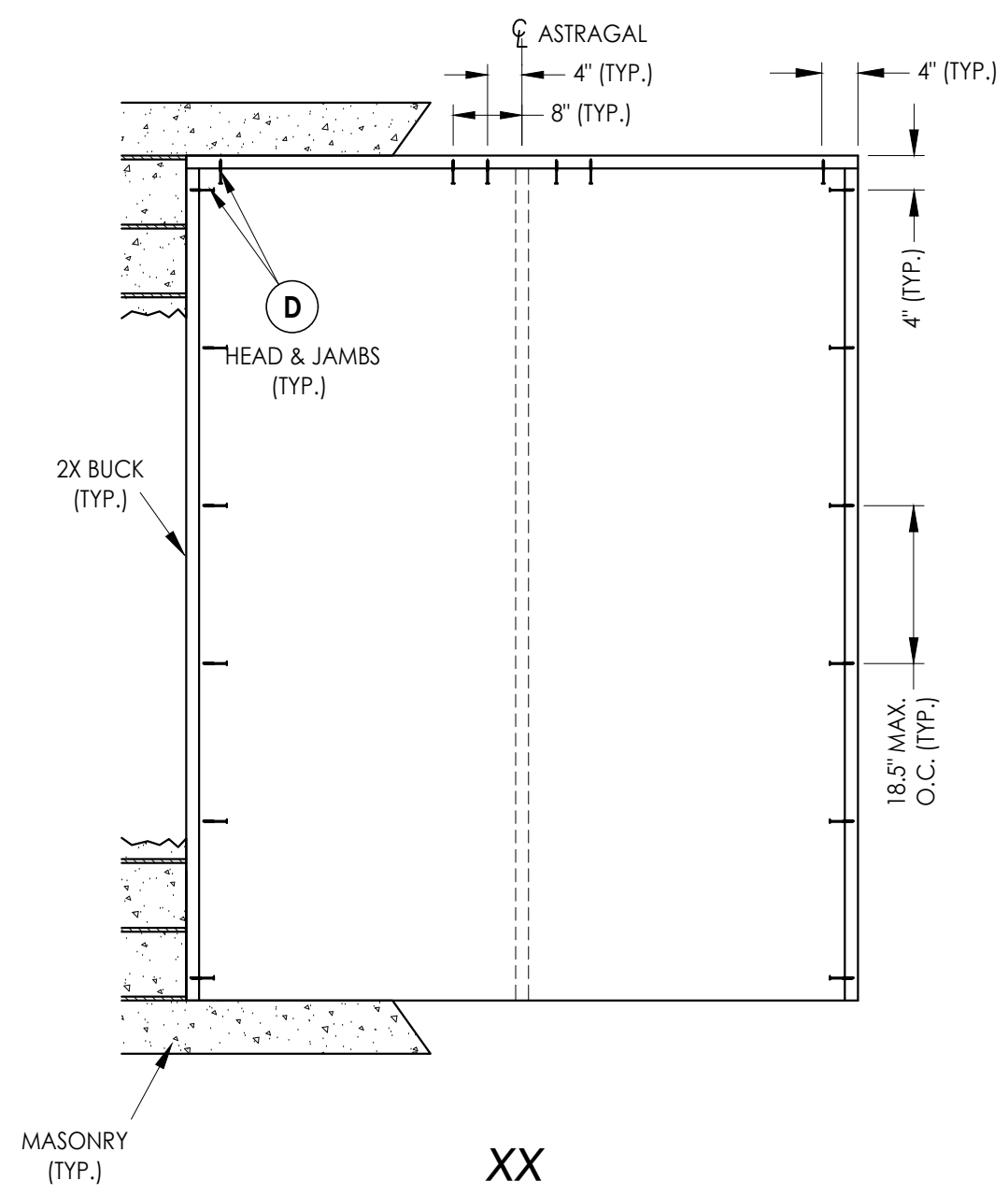
PRODUCT:  
THERMA-TRU  
FIBERGLASS DOOR

PART OR ASSEMBLY:  
VERTICAL CROSS  
SECTIONS (THRESHOLDS)

NO.	DATE	REVISIONS
4	8/22/23	UPDATE TO 8TH ED. (2023) FBC
3	7/16/20	UPDATE TO 7th ED. (2020) FBC
2	10/09/18	REV. DOOR PANEL OPTION NOTE
1	10/15/17	ADD DEADBOLT 5-1/2" O. C. AND RECESSED PANEL NOTATION

DATE:	12/19/16
SCALE:	N.T.S.
DWG. BY:	JK
CHK. BY:	LFS
DRAWING NO.:	FL-21138.12
SHEET	8 OF 14





**2X BUCK ANCHORING**

NO.	DATE	REVISIONS
4	8/22/23	UPDATE TO 8TH ED. (2023) FBC
3	7/16/20	UPDATE TO 7th ED (2020) FBC
2	10/09/18	REV. DOOR PANEL OPTION NOTE
1	10/15/17	ADD DEADBOLT 5-1/2" O. C. AND RECESSED PANEL NOTATION

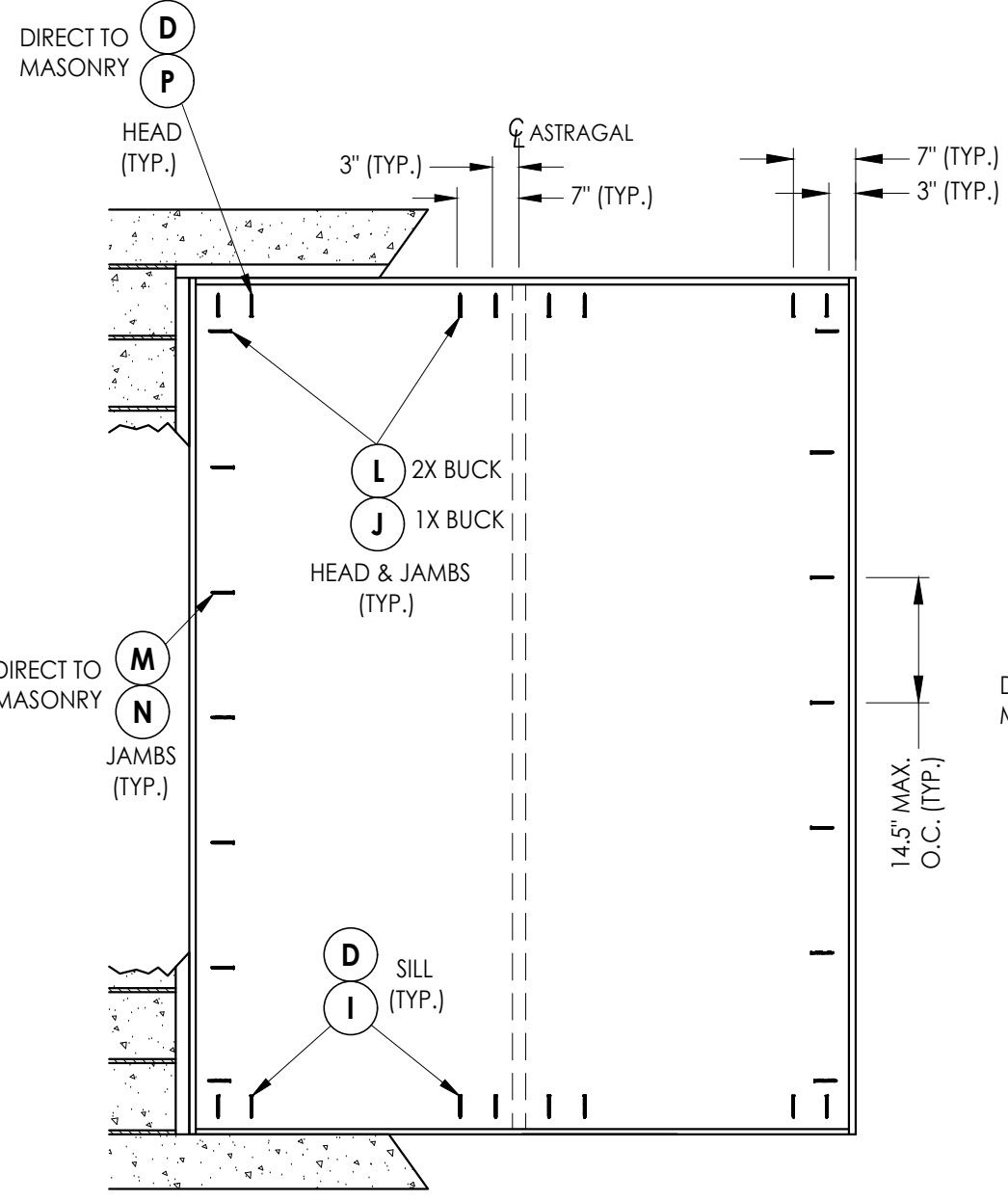
DATE: 12/19/16  
 SCALE: N.T.S.  
 DWG. BY: JK  
 CHK. BY: LFS  
 DRAWING NO.: FL-21138.12  
 SHEET 9 OF 14

PRODUCT: THERMA-TRU FIBERGLASS DOOR  
 PART OR ASSEMBLY: BUCK ANCHORING

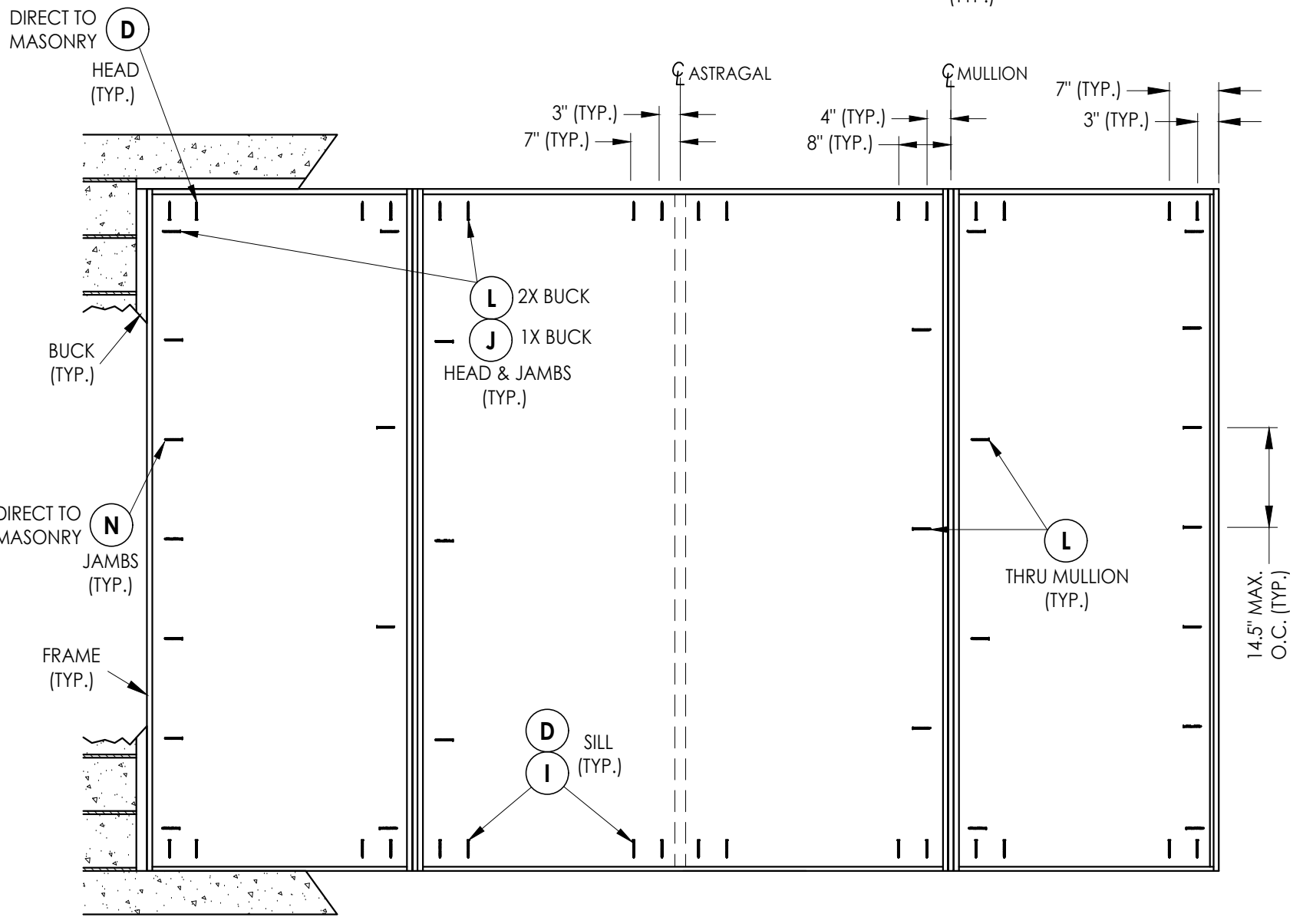
Documents Prepared By:  
 Lyndon F. Schmidt  
 P.E. No. 43409

**RW** BUILDING CONSULTANTS, INC.  
 P.O. Box 230, Vairico, FL 33595  
 Phone No.: 813.659.9197  
 FBPE Registry No. 9813

Z:\2023 FBC Drawings\Therma-Tru\FL-21138 R7\FL-21138.10-12.dwg

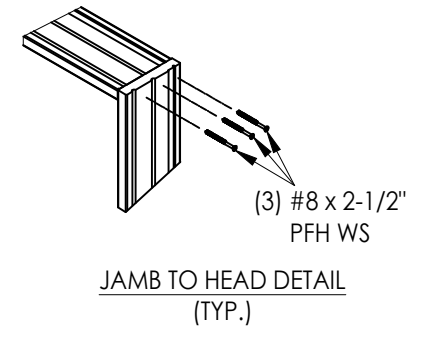


XX



OXO

**FRAME ANCHORING**



Documents Prepared By:  
Lyndon F. Schmidt  
P.E. No. 43409

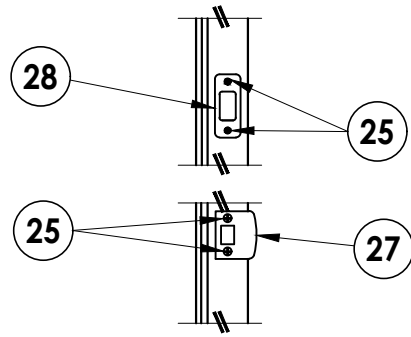
**RW** BUILDING CONSULTANTS, INC.  
P.O. Box 230, Valrico, FL 33595  
Phone No.: 813.659.9197  
FBPE Registry No. 9813

PRODUCT:  
THERMA-TRU  
FIBERGLASS DOOR

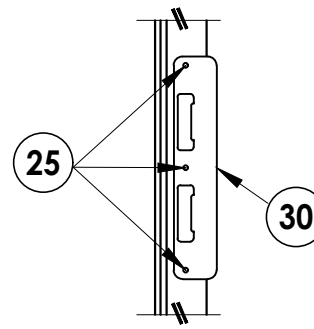
PART OR ASSEMBLY:  
FRAME ANCHORING

NO.	DATE	REVISIONS	BY
4	8/22/23	UPDATE TO 8TH ED. (2023) FBC	LFS
3	7/16/20	UPDATE TO 7th ED (2020) FBC	PO
2	10/09/18	REV. DOOR PANEL OPTION NOTE	MT
1	10/15/17	ADD DEADBOLT 5-1/2" O. C. AND RECESSED PANEL NOTATION	JK

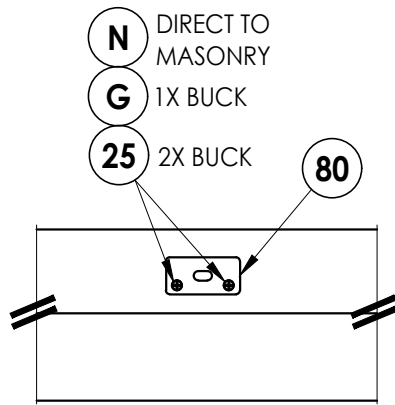
DATE: 12/19/16  
SCALE: N.T.S.  
DWG. BY: JK  
CHK. BY: LFS  
DRAWING NO.: FL-21138.12  
SHEET 10 OF 14



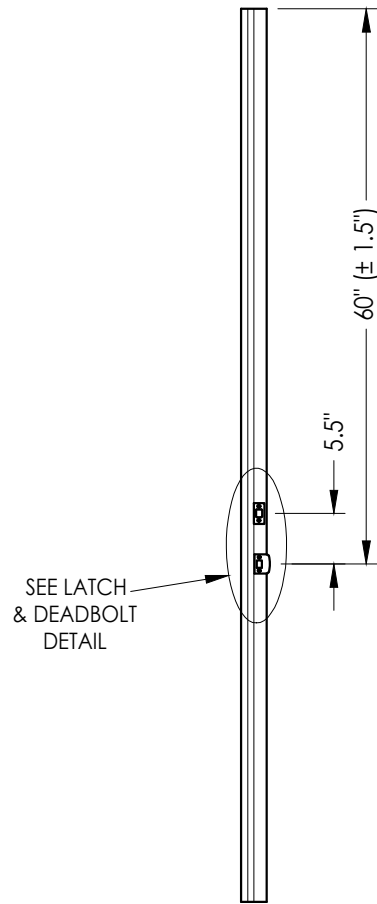
**LATCH & DEADBOLT DETAIL**  
Schlage / Kwikset



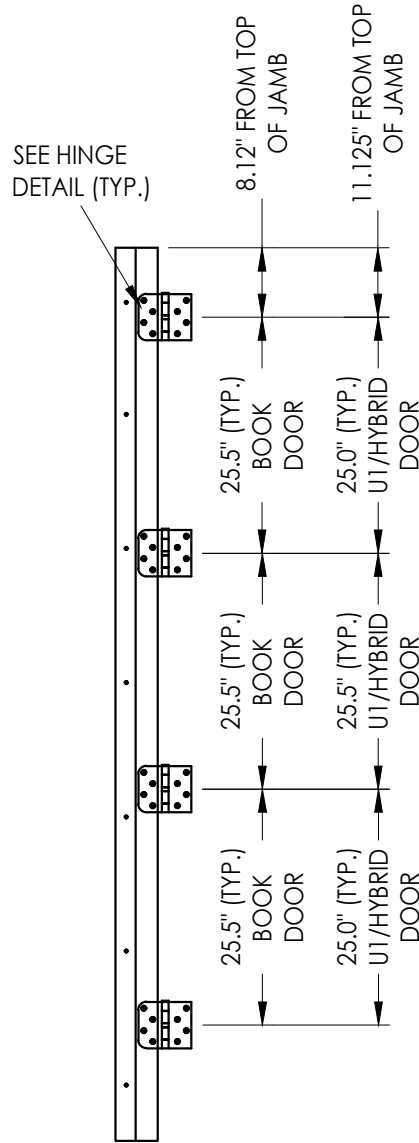
**LATCH & DEADBOLT DETAIL**  
Multipoint Lock



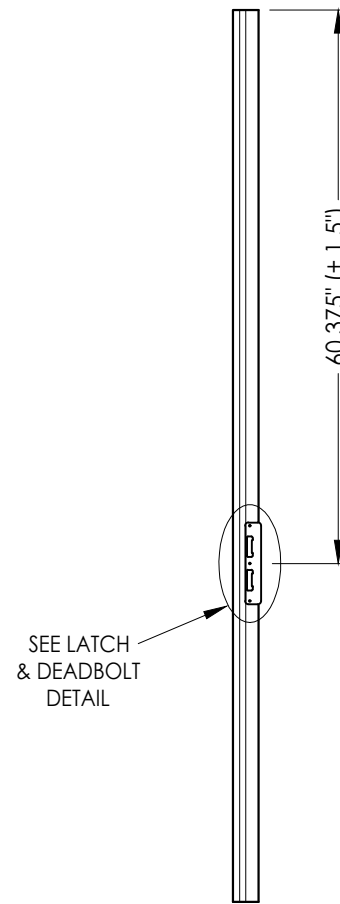
**DETAIL 1**  
Astragal Strike Plate @ Head



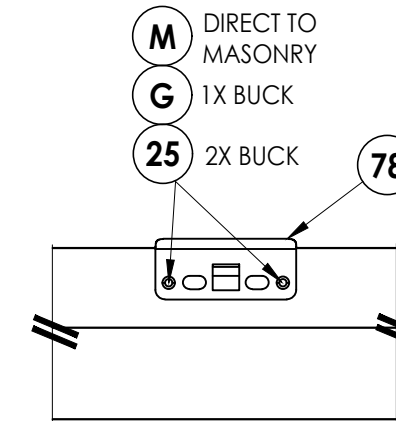
**STRIKE JAMB**  
Latch and Deadbolt



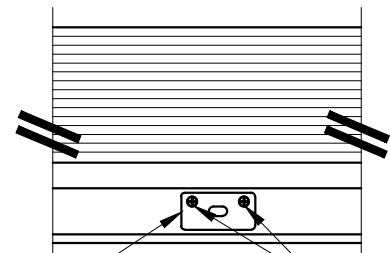
**HINGE JAMB**



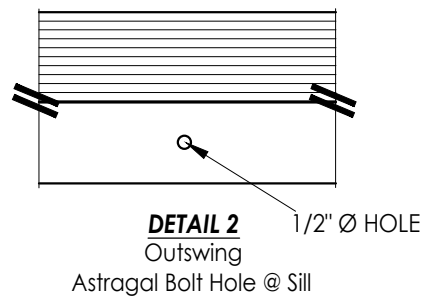
**STRIKE JAMB**  
Multipoint Lock



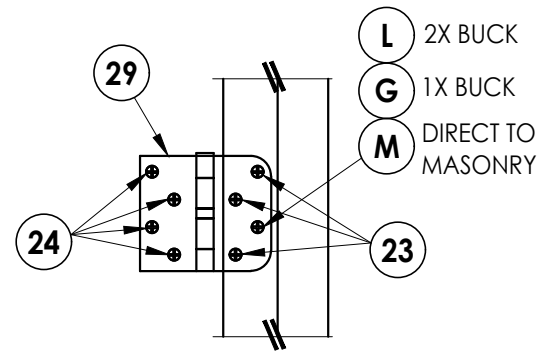
**DETAIL 1**  
Multipoint Lock Strike Plate @ Head



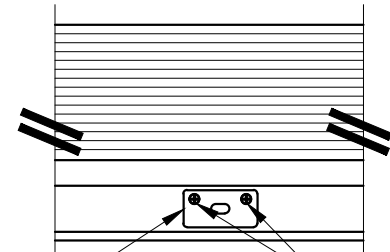
**DETAIL 2**  
Inswing  
Coastal Astragal Strike Plate @ Sill



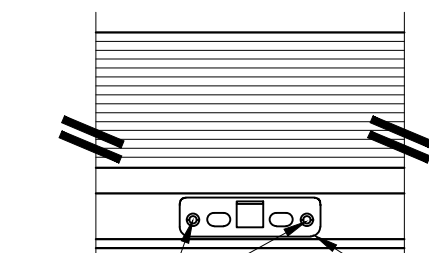
**DETAIL 2**  
Outswing  
Astragal Bolt Hole @ Sill



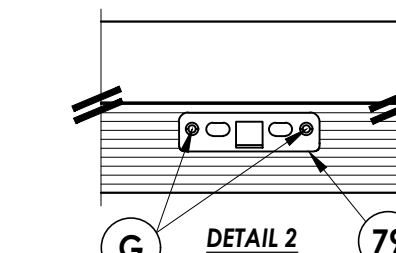
**HINGE DETAIL**



**DETAIL 2**  
Inswing  
Coastal Astragal Strike Plate @ Sill



**DETAIL 2**  
Inswing  
Multipoint Lock Strike Plate @ Sill



**DETAIL 2**  
Outswing  
Multipoint Lock Strike Plate @ Sill

**LATCH & DEADBOLT STRIKE DETAILS**

**MULTIPOINT LOCK STRIKE DETAILS**

Documents Prepared By:  
Lyndon F. Schmidt  
P.E. No. 43409

**RW** BUILDING CONSULTANTS, INC.  
P.O. Box 230, Valrico, FL 33595  
Phone No.: 813.659.9197  
FBPE Registry No. 9813

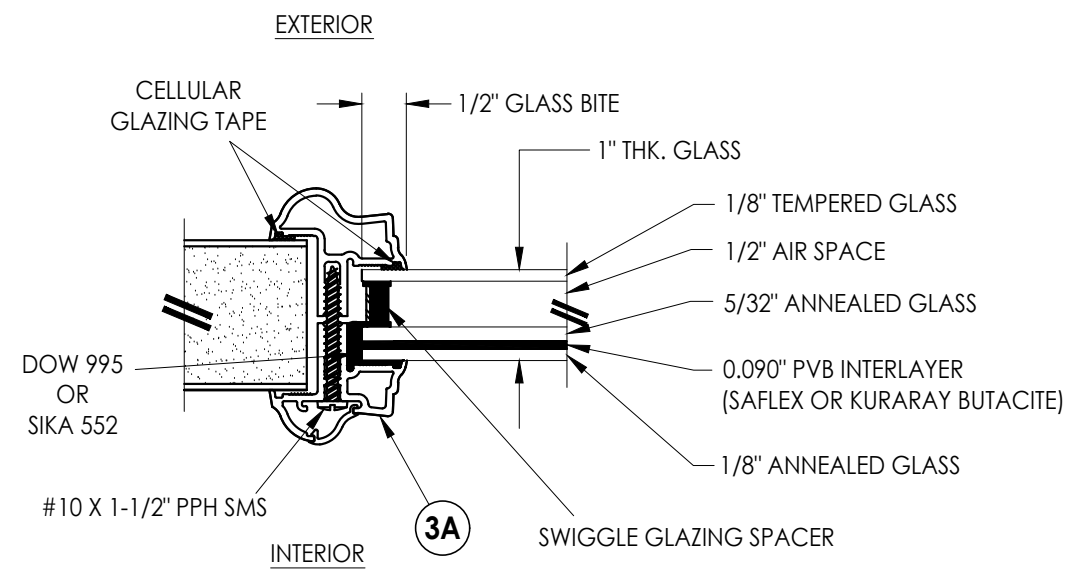
PRODUCT:  
THERMA-TRU  
FIBERGLASS DOOR

PART OR ASSEMBLY:  
HARDWARE DETAILS

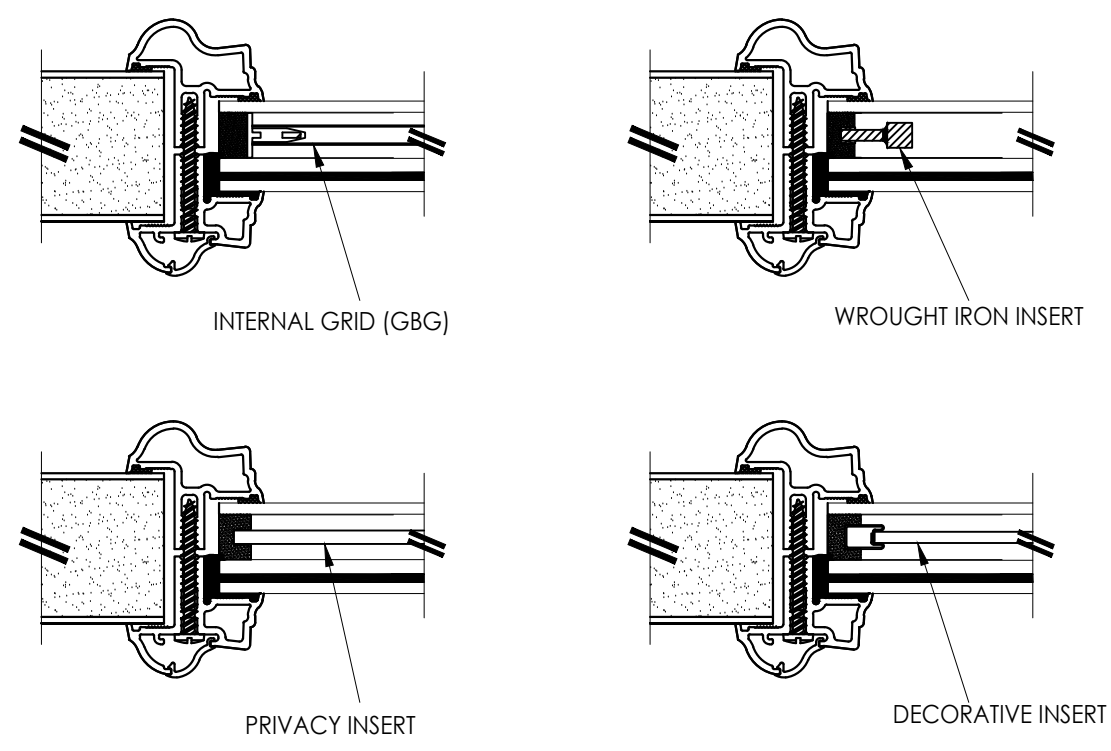
NO.	DATE	DESCRIPTION	BY
4	8/22/23	UPDATE TO 8TH ED. (2023) FBC	LFS
3	7/16/20	UPDATE TO 7th ED (2020) FBC	PO
2	10/09/18	REV. DOOR PANEL OPTION NOTE	MT
1	10/15/17	ADD DEADBOLT 5-1/2" O. C. AND RECESSED PANEL NOTATION	JK

DATE:	12/19/16
SCALE:	N.T.S.
DWG. BY:	JK
CHK. BY:	LFS
DRAWING NO.:	FL-21138.12
SHEET	11 of 14

Z:\2023 FBC Drawings\Therma-Tru\FL-21138 R7\FL-21138.10-12.dwg

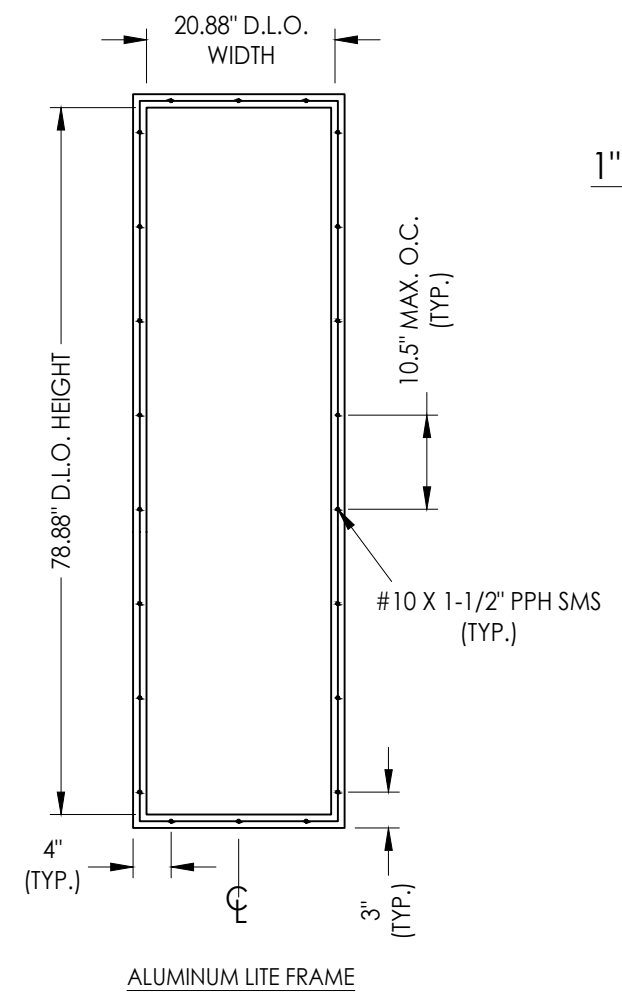
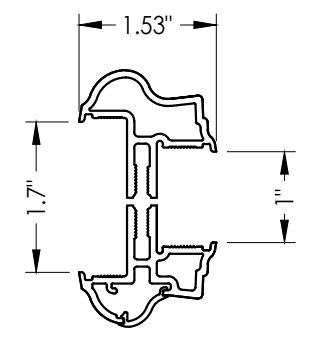


**G1 GLAZING DETAIL**  
Aluminum Impact Lite Frame  
Door Panels & Sidelites



**1" LAMINATED INSULATED IMPACT GLASS INSERT OPTIONS**

**3A ALUMINUM FRAME**  
Aluminum Impact Lite Frame  
Door Panels & Sidelites



Documents Prepared By:  
Lyndon F. Schmidt  
P.E. No. 43409

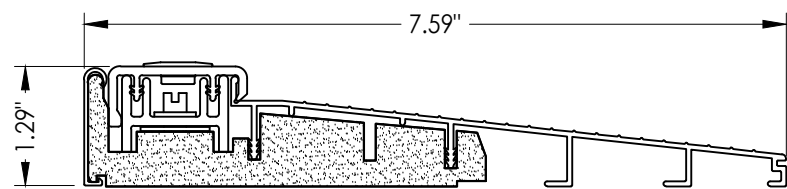
**RW BUILDING CONSULTANTS, INC.**  
P.O. Box 230, Valrico, FL 33595  
Phone No.: 813.659.9197  
FBPE Registry No. 9813

PRODUCT: THERMA-TRU FIBERGLASS DOOR  
PART OR ASSEMBLY: GLAZING DETAILS

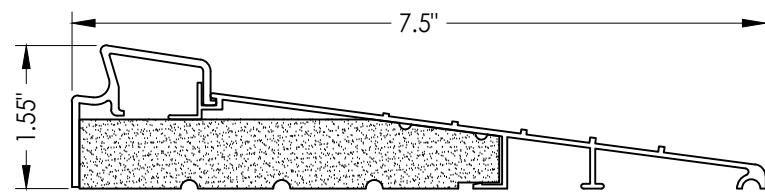
NO.	DATE	REVISIONS
4	8/22/23	UPDATE TO 8TH ED. (2023) FBC LFS
3	7/16/20	UPDATE TO 7th ED (2020) FBC PO
2	10/09/18	REV. DOOR PANEL OPTION NOTE MT
1	10/15/17	ADD DEADBOLT 5-1/2" O. C. JK AND RECESSED PANEL NOTATION

DATE: 12/20/16  
SCALE: N.T.S.  
DWG. BY: JK  
CHK. BY: LFS  
DRAWING NO.: FL-21138.12  
SHEET 12 OF 14

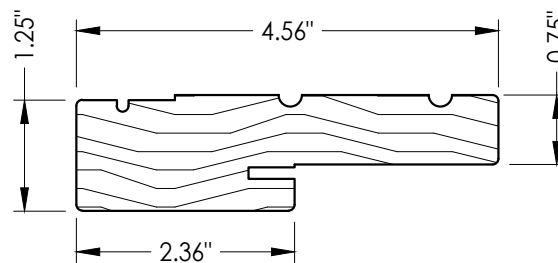
Z:\2023 FBC Drawings\Therma-Tru\FL-21138 R7\FL-21138.10-12.dwg



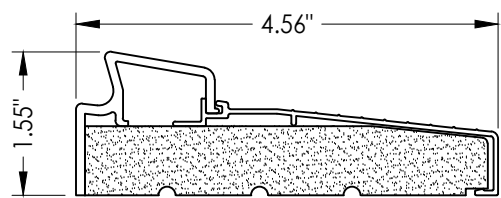
**32 INSWING THRESHOLD**  
Inswing Basic Composite Adjustable Sill 7-1/2"



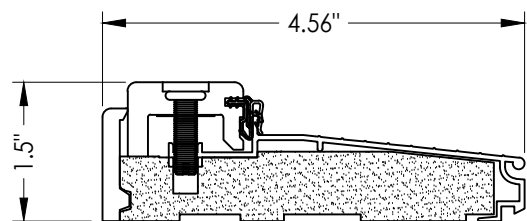
**37 INSWING THRESHOLD**  
Inswing Basic Fixed 7-1/2" Sill



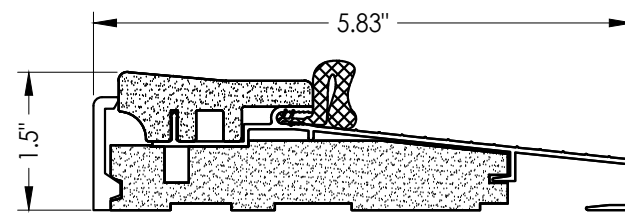
**1 WOOD JAMB**



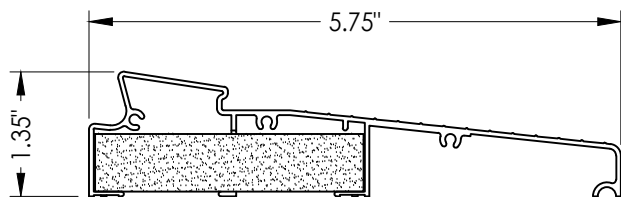
**33 INSWING THRESHOLD**  
Inswing Basic Fixed Sill



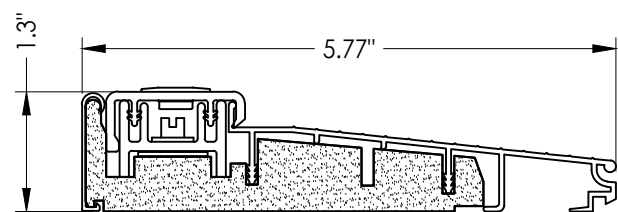
**38 INSWING THRESHOLD**  
Inswing Composite Adjustable Sill



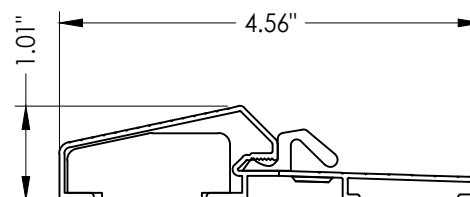
**16 OUTSWING THRESHOLD**  
Composite Sill



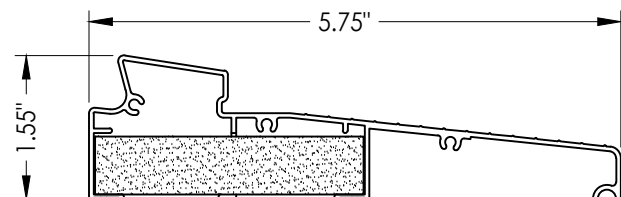
**34 INSWING THRESHOLD**  
Inswing Moderate Climate Sill 1-3/8"



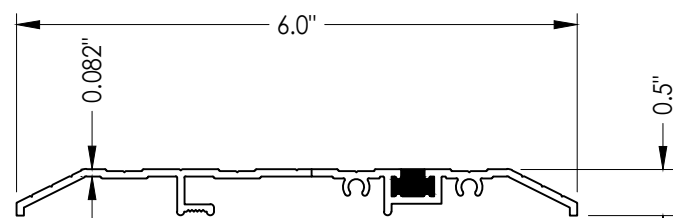
**39 INSWING THRESHOLD**  
Inswing Basic Composite Adjustable Sill



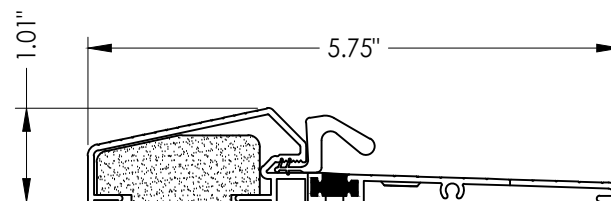
**17 OUTSWING THRESHOLD**  
Composite / Aluminum Sill



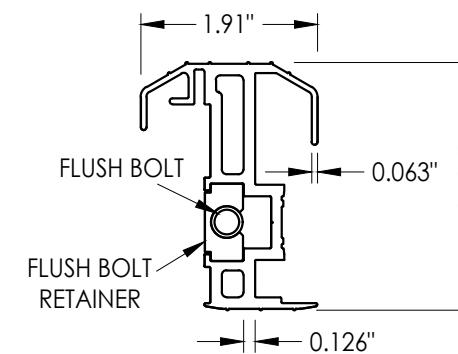
**35 INSWING THRESHOLD**  
Inswing Moderate Climate Sill



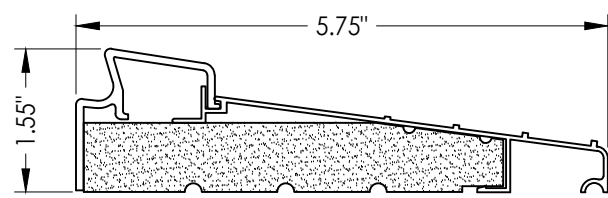
**15 PUBLIC ACCESS THRESHOLD**



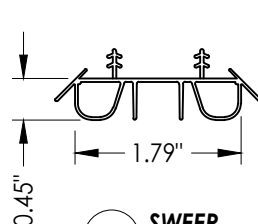
**18 OUTSWING THRESHOLD**  
Composite / Aluminum Sill  
(Thermal Break)



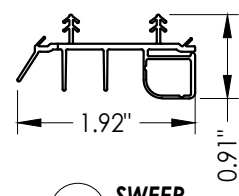
**20 COASTAL ALUMINUM ASTRAGAL**



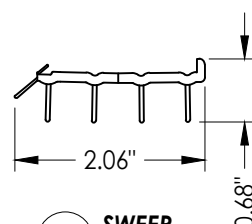
**36 INSWING THRESHOLD**  
Inswing Basic Fixed 5-3/4" Sill



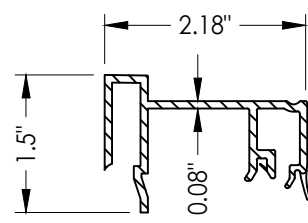
**8 SWEEP**



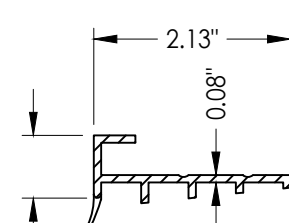
**9 SWEEP**



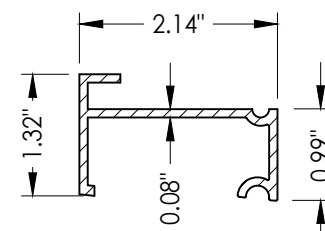
**10 SWEEP**



**75 SIDELITE SPACER**  
Inswing



**76 SIDELITE SPACER**  
Outswing



**77 SIDELITE SPACER**  
Inswing  
Moderate Climate Threshold

Documents Prepared By:  
Lyndon F. Schmidt  
P.E. No. 43409

**RW** BUILDING CONSULTANTS, INC.  
P.O. Box 230, Vairico, FL 33595  
Phone No.: 813.659.9197  
FBPE Registry No. 9813

PRODUCT:  
THERMA-TRU  
FIBERGLASS DOOR

PART OR ASSEMBLY:

COMPONENTS

NO.	DATE	REVISIONS
4	8/22/23	UPDATE TO 8TH ED. (2023) FBC LFS
3	7/16/20	UPDATE TO 7TH ED. (2020) FBC PO
2	10/09/18	REV. DOOR PANEL OPTION NOTE MT
1	10/15/17	ADD DEADBOLT 5-1/2" O. C. AND RECESSED PANEL NOTATION JK
		BY

DATE: 12/19/16

SCALE: N.T.S.

DWG. BY: JK

CHK. BY: LFS

DRAWING NO.: FL-21138.12

SHEET 13 of 14

BILL OF MATERIALS			BILL OF MATERIALS		
ITEM #	DESCRIPTION	MATERIAL	ITEM #	DESCRIPTION	MATERIAL
A	1X BUCK (SG >= 0.42)	WOOD	25	#8 x 2-1/2" PFH WOOD SCREW	STEEL
B	2X BUCK (SG >= 0.42)	WOOD	26	#8 x 5/8" PFH WOOD SCREW	STEEL
C	1/4" MAX. SHIM SPACE	-	27	LATCH STRIKE PLATE	STEEL
D	1/4" X 2-3/4" PFH DeWALT OR ITW CONCRETE SCREW	STEEL	28	DEADBOLT STRIKE PLATE	STEEL
E	MASONRY - 3,000 PSI MIN. CONCRETE CONFORMING TO ACI 301 OR HOLLOW BLOCK CONFORMING TO ASTM C90	CONCRETE	29	4" X 4" HINGE	STEEL
			32	INSWING THRESHOLD	ALUM/COMP
F	#10 X 2" PFH WOOD SCREW	STEEL	33	INSWING THRESHOLD	ALUM/COMP
G	3/16" X 3-1/4" ITW CONCRETE SCREW	STEEL	34	INSWING THRESHOLD	ALUM/COMP
I	1/4" X 1-3/4" PFH DeWALT OR ITW CONCRETE SCREW	STEEL	35	INSWING THRESHOLD	ALUM/COMP
J	1/4" X 3-3/4" PFH DeWALT OR ITW CONCRETE SCREW	STEEL	36	INSWING THRESHOLD	ALUM/COMP
L	#10 X 2-1/2" PFH WOOD SCREW (1.15" MIN. EMBEDMENT)	STEEL	37	INSWING THRESHOLD	ALUM/COMP
M	3/16" X 2-1/4" ITW CONCRETE SCREW	STEEL	38	INSWING THRESHOLD	ALUM/COMP
N	3/16" X 2-3/4" ITW CONCRETE SCREW	STEEL	39	INSWING THRESHOLD	ALUM/COMP
P	1/4" X 2-3/4" PFH DeWALT CONCRETE SCREW	STEEL	40	DOOR PANEL (BOOK)	-
1	JAMB (FINGER JOINT PINE )	WOOD	41	DOOR PANEL (HYBRID)	-
6	WEATHERSTRIP (MEDIUM REACH)	FOAM	42	DOOR PANEL (U1)	-
7	WEATHERSTRIP (LONG REACH)	FOAM	50	SIDELITE (FULL LITE)	-
8	SWEEP	VINYL	75	SIDELITE SPACER (INSWING)	PVC
9	SWEEP (USE W/ MODERATE CLIMATE THRESHOLD)	VINYL	76	SIDELITE SPACER (OUTSWING)	PVC
10	SWEEP (USE W/ PUBLIC ACCESS THRESHOLD)	VINYL	77	SIDELITE SPACER (INSWING) - MODERATE CLIMATE SILL	PVC
11	#10 X 1-3/4" PFH WOOD SCREW	STEEL	78	MULTIPOINT LOCK STRIKE PLATE @ HEAD	STEEL
15	PUBLIC ACCESS THRESHOLD	ALUM	79	MULTIPOINT LOCK STRIKE PLATE @ SILL	STEEL
16	OUTSWING THRESHOLD	ALUM/COMP	80	ASTRAGAL STRIKE PLATE	STEEL
17	OUTSWING THRESHOLD	ALUM/COMP	88	1X MULLION (SG >= 0.55)	WOOD
18	OUTSWING THRESHOLD	ALUM/COMP			
20	COASTAL ALUMINUM ASTRAGAL	ALUM			
23	#10 x 3/4" PFH WOOD SCREW	STEEL			
24	#10 x 1" PFH WOOD SCREW	STEEL			

CONCRETE ANCHOR NOTES:

- Concrete anchor locations at the corners may be adjusted to maintain the min. edge distance to mortar joints.
- Concrete anchor locations noted as "MAX. ON CENTER" must be adjusted to maintain the min. edge distance to mortar joints, additional concrete anchors may be required to ensure the "MAX. ON CENTER" dimension are not exceeded.
- Concrete anchor table:

ANCHOR TYPE	ANCHOR SIZE	MIN. EMBEDMENT	MIN. CLEARANCE TO MASONRY EDGE	MIN. CLEARANCE TO ADJACENT ANCHOR
ITW TAPCON®	1/4"	1-1/4"	2"	4"
DeWALT ULTRACON+®	1/4"	1-1/4"	1"	4"
ITW TAPCON®	3/16"	1-1/4"	AS SHOWN	1-1/2"

WOOD SCREW INSTALLATION NOTES:

- Maintain a minimum 5/8" edge distance, 1" end distance, & 1" o.c. spacing of wood screws to prevent the splitting of wood.

Documents Prepared By:  
Lyndon F. Schmidt  
P.E. No. 43409

RW BUILDING CONSULTANTS, INC.  
P.O. Box 230, Valrico, FL 33595  
Phone No.: 813.659.9197  
FBPE Registry No. 9813

PRODUCT:  
THERMA-TRU  
FIBERGLASS DOOR

PART OR ASSEMBLY:  
BILL OF MATERIALS

NO.	DATE	REVISIONS
4	8/22/23	UPDATE TO 8TH ED. (2023) FBC
3	7/16/20	UPDATE TO 7th ED (2020) FBC
2	10/09/18	REV. DOOR PANEL OPTION NOTE
1	10/15/17	ADD DEADBOLT 5-1/2" O. C. AND RECESSED PANEL NOTATION

DATE: 12/19/16

SCALE: N.T.S.

DWG. BY: JK

CHK. BY: LFS

DRAWING NO.:

FL-21138.12

SHEET 14

OF 14